



# [PATHFINDER]

## SOLAR AREA LIGHT



### Description

The [PATHFINDER] is a new generation of off-grid solar powered area lighting achieving up to 200lm/W allowing a multi-day standby time. To ensure efficient operation, smart control technology allows the [PATHFINDER] to only activate when needed and maintain a lower lighting lumen until movement is detected. Available in a range of sizes and wattages to suit requirements.



### Sense Technology

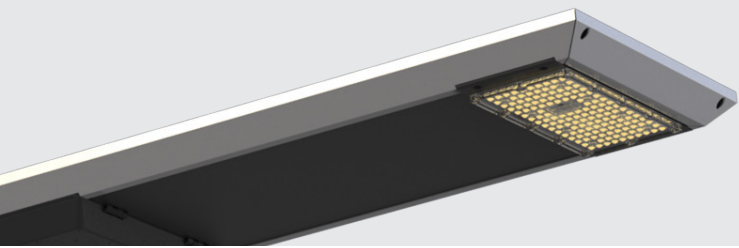
Motion sensor technology maximises operation time. The [PATHFINDER] has a 30% output standby level and when motion is detected goes back to 100% output.

### Key Features

- Efficient all-in-one design aiding in transport, storage & installation
- Motion-activated brightness to extend operating time
- High output LEDs up to 200lm/W
- Built-in PIR sensor to optimise efficiency by ensuring the fitting only turns on when needed

### Solar Powered

Fully off-grid system powered by a solar panel to ensure uninterrupted operation and no need for mains cabling.



### Technical Specifications

Rated Life	≥30,000 hours	Operating Temperature	-10°C to +55°C
Body	Aluminium	IP Rating	IP65
Installation	Pole Top	Connection	Self contained
Beam Angle	Type 3M	Charge Time	<6 Hours
Battery Type	LiFePo4		

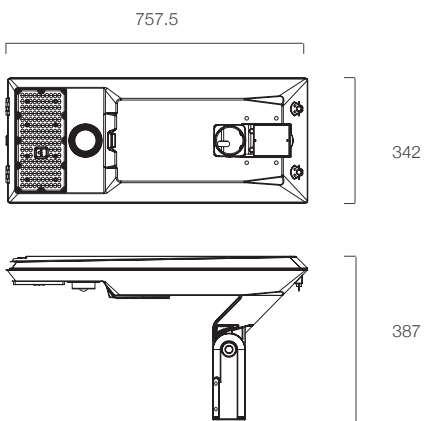
### Product Data

Part Number	Power	Lumen Output	CCT	Beam Angle
SP-10DT3M	10W	2,000lm	5700K	Type 3M
SP-22DT3M	22W	4,000lm	5700K	Type 3M
SP-40DT3M	40W	7,000lm	5700K	Type 3M

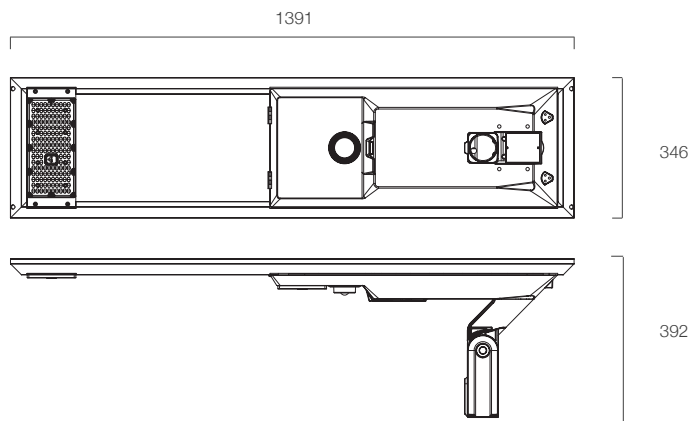
### Product Dimensions

Part Number	Pole Diameter*	Net Weight	Dimensions*	Mounting	Recommended Mounting Height
SP-10DT3M	Ø48-60	12.6kg	757.5 x 342 x 387	Pole Mount	4m
SP-22DT3M	Ø48-60	14.5kg	757.5 x 342 x 387	Pole Mount	6m
SP-40DT3M	Ø48-60	20.8kg	1391 x 346 x 392	Pole Mount	7m

#### SP-10DT3M / SP-22DT3M



#### SP-40DT3M



\*Unit = mm