

[FLEXI]

LED SPOTLIGHT



Description

The [FLEXI] LED Spotlight provides superior security lighting for your home. The modular design of the [FLEXI] allows for the motion detection module to be added on at any time. The [FLEXI] also incorporates TEKNIK's quick connect installation system. Attach the base to the wall or eave and connect the wiring, Select the desired colour temperature (3000K, 4000K or 5700K) and simply plug the head onto the base and secure with the provided screws.

Key Features

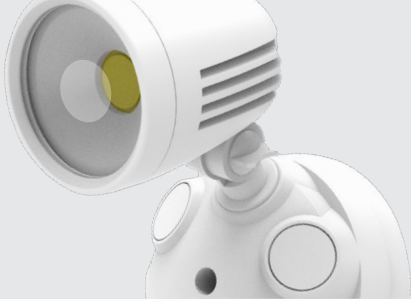
- Quick Connect system for easy installation
- Colour temperature selection 3000K, 4000K, 5700K)
- Adjustable on Time and Lux settings on sensor module and manual override function
- Fully tiltable and rotatable head for flexible installations
- Available in white and black body colour options



Modular Base

To allow optional sensor to be fitted at any time with easy modular plug and play installation.

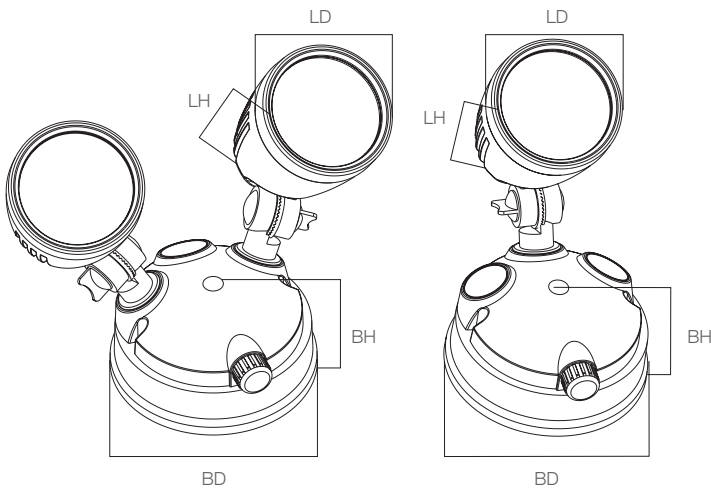




Technical Specifications

Rated Life	≥30,000 hours	Operating Temperature	-20°C to +40°C
Body	Cast Aluminium with Polycarbonate base	Input Voltage	220-240 VAC ~ 50/60Hz
Installation	Wall/ceiling mount base	IP Rating	IP54
Beam Angle	120°	Connection	Quick-Connect terminal block
Power Factor	>0.55	CRI	>80
		Weight	0.7kg (12W), 1kg (24W)

Dimensional Drawing



Type	Light Height LH	Light Diameter LD	Body Height BH	Body Diameter BD
Single	99	76	58	114
Twin	99	76	58	114

Unit = mm

Product Data

Part Number	Power	Lumen Output	CCT
FF-1-12S120-W	12W	1,000lm	Tri-colour (3000K/4000K/5700K)
FF-1-12S120-B	12W	1,000lm	Tri-colour (3000K/4000K/5700K)
FF-2-24S120-W	24W	2,000lm	Tri-colour (3000K/4000K/5700K)
FF-2-24S120-B	24W	2,000lm	Tri-colour (3000K/4000K/5700K)
FF-SENS-W	n/a	n/a	n/a
FF-SENS-B	n/a	n/a	n/a