

[GEM]

LED DOWNLIGHT



IC-4



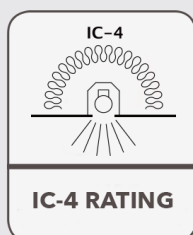
Description

The [GEM] LED downlight replaces traditional halogen downlights with a more cost-effective solution designed for quick and easy installation. The [GEM] has a high quality, plastic coated, aluminium body, and a broad-range of dimming compatibility along with selectable colour temperatures. The [GEM] LED downlight is the perfect choice where a high quality downlight is required on a budget.



Key Features

- Dimmable with a wide range of leading/trailing edge dimmers (for our latest compatibility list please visit our website)
- IC-4 rated
- Aluminium body with certified UL94 V-0 flame retardant plastic coating



An IC-4 rated downlight can be abutted and directly covered with insulation. This makes the installation process easier as the insulation can be laid unbroken over the whole ceiling area.

The main benefits of IC-4 downlights include:

- Simple and fast installation process
- Reduced labour per fitting
- Maintaining the integrity of the insulation as it can be laid unbroken over the ceiling



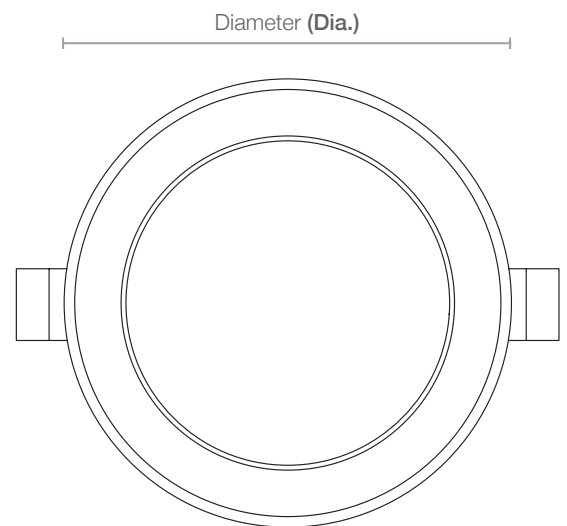
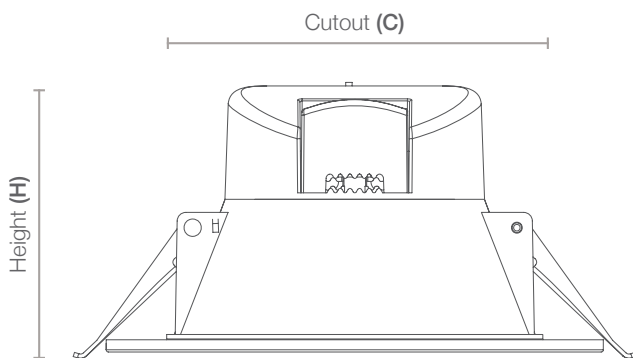
Technical Specifications

| | |
|--------------|------------------------------|
| Rated Life | ≥25,000 hours |
| Body | Aluminium / UL94 V-0 Plastic |
| Installation | Recessed |
| Beam Angle | 120° |
| Power Factor | >0.9 |
| CRI | >80 |

| | |
|-----------------------|-------------------------|
| Operating Temperature | -20°C to +45°C |
| Input Voltage | 200 – 277 VAC ~ 50/60Hz |
| IP Rating | IP44* |
| Connection | Flex and plug |
| Net weight | 0.18kg |

*IP44 rating applies to product front fascia, IP40 for the rear of luminaire

Dimensional Drawing



| Model | Dia. | H | C |
|-------------|------|----|-----|
| DG-35-8S120 | Ø108 | 60 | Ø90 |

Unit = mm

Product Data

| Part Number | Power | Lumen Output | CCT |
|----------------------|-------|-----------------------|------------------------------------|
| DG-35-8S120 (shift:) | 8W | 700lm / 750lm / 720lm | Tri-colour (3000K / 4000K / 5700K) |