



[ELEMENT]

LED PANEL

USER MANUAL



INTRODUCTION

Thank you for selecting the [ELEMENT] LED Panel. Please ensure that the luminaire is installed in accordance with the below instructions. **Teknik Lighting Solutions Pty Ltd** assumes no responsibility for inappropriate use or installation of the product, including any associated damage caused.

Features:

- > True 3 year warranty.
- > High efficacy of 120lm/W.
- > Flex and plug for easy installation.
- > Powder coated aluminium frame to eliminate light spill.

PRECAUTION

1. Read the entire manual carefully prior to installation and operation.
2. The warranty period is listed on the product as well as on the packaging. Teknik will repair or replace the product if it becomes defective under normal use due to a manufacturing defect within the prescribed period.
3. Declared lumen output is based upon measurements obtained during operation on the appointed LED electronic driver under standardised laboratory conditions.
4. Installation must be performed by a licenced and qualified electrician, in accordance with these instructions and relevant Australian Standards.
5. Instant restart is allowed.
6. Do not change or tamper with any internal electric circuits, add any wires, connectors or cables for any reason.
7. Please do not insert any physical objects of any nature into the fitting as this may cause electric shock, malfunction or damage to the products.
8. Before replacement of the fitting turn the power off and allow to cool down.
9. In case of weight discrepancy when replacing old lamps, please ensure that the mounted structure is rated to withstand the weight of the new lamp and installation materials.
10. For further information, please contact Teknik (www.tekniklighting.com.au) or your local distributor.

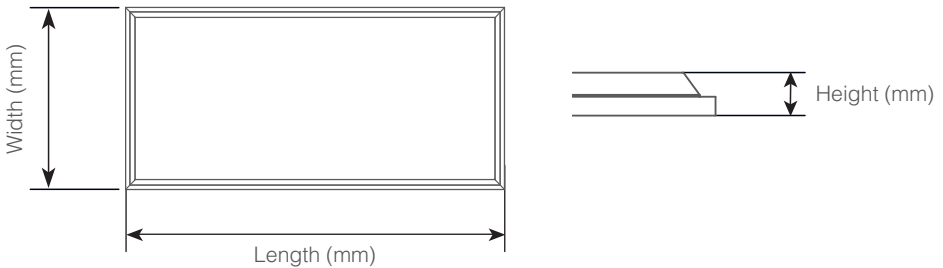
DISCLAIMERS

1. This product must be installed and used as per these instructions.
2. This product contains no serviceable parts and no attempt should be made to repair this product. If the product is faulty it should be discarded.
3. This product is not suitable for installation in hazardous and/or corrosive areas.
4. Electrical installations periodically receive transient over voltages. This product has been designed to minimise the effect of such voltages on connected equipment. It may not give full protection for extreme over-voltage transients such as those resulting from a close lightning strike.
5. This product utilises intellectual property in the form of registered designs, trademarks, and/or patents. Such intellectual property remains the property of Teknik Lighting Solutions Pty Ltd in all cases.

SPECIFICATIONS

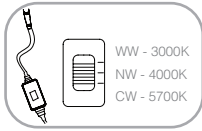
Model	600x300mm	600x600mm	1200x300mm	1200x600mm
Input Voltage	220-240 VAC ~ 50/60Hz			
Power	18W	30W	30W	50W
Lumen Output (Normal)	2160lm-2000lm	3200lm-3000lm	3200lm-2900lm	5700lm-5200lm
Colour Temperature	Tri-Colour (3000K/4000K/5700K)			
CRI	>83			
Beam Angle	120°			
Connection	Flex and Plug			
Lifetime	>30,000 hrs			
IP Rating	IP20			
Usage	Indoor Usage Only			

DIMENSIONAL DRAWING



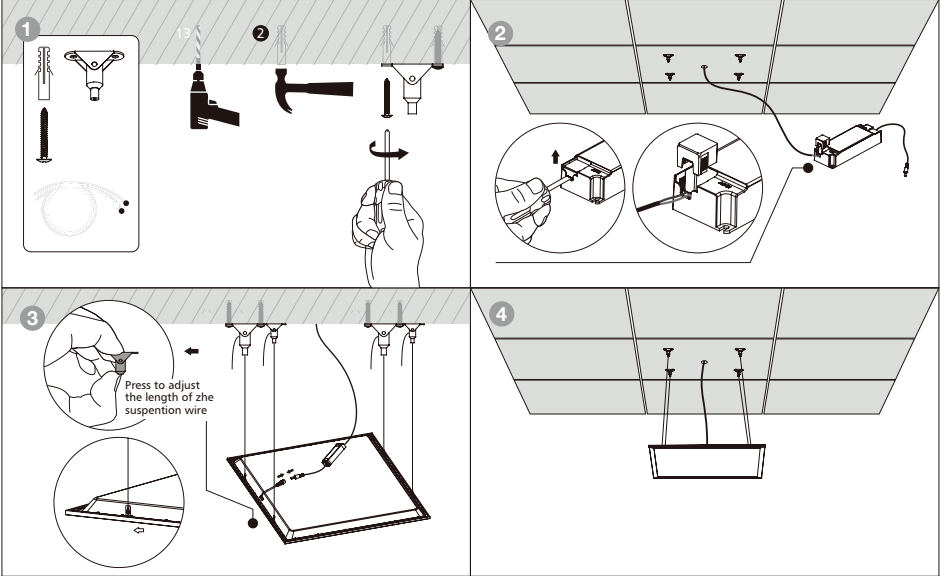
	Length mm	Width mm	Height mm
600x300	595	295	32
600x600	595	595	30
1200x300	1195	295	30
1200x600	1195	595	32

INSTALLATION



For colour selectable options, please select the light colour before installation. Choose colour by the slide switch with the corresponding colour temperature.

Suspension



Recessed

