



[ELEMENT]

LED PANEL

USER MANUAL



INTRODUCTION

Please ensure that the luminaire is installed in accordance with the below instructions. **Teknik Lighting Solutions Pty Ltd** assumes no responsibility for inappropriate use or installation of the product, including any associated damage caused.

PRECAUTION

1. Read the entire manual carefully before installation and operation.
2. The Warranty Period is listed on the product and the packaging. Teknik will repair or replace the product if it fails or becomes defective during normal use within the prescribed warranty period.
3. Declared lumen output is based upon measurements obtained during operation on the appointed LED electronic driver under standardised laboratory conditions.
4. Instant restart is allowed.
5. Installation must be performed by a licenced and qualified electrician.
6. Do not change or tamper with any internal electric circuits or wiring, connectors or cables for any reasons.
7. Do not insert foreign objects into the product. This may result in electric shock, malfunction or damage to the products.
8. Teknik accepts no liability for any injuries or damages resulting from the incorrect use of the lamp or use of the lamp in combination with inappropriate equipment.
9. In case of weight discrepancy when replacing old lamps, please ensure that the mounted structure is rated to withstand the weight of the new lamp and installation materials.
10. The warranty shall exclude modifications to the product, incorrect installation and use outside of the intended scope.
11. For further information, please contact Teknik Lighting Solutions or your local distributor.

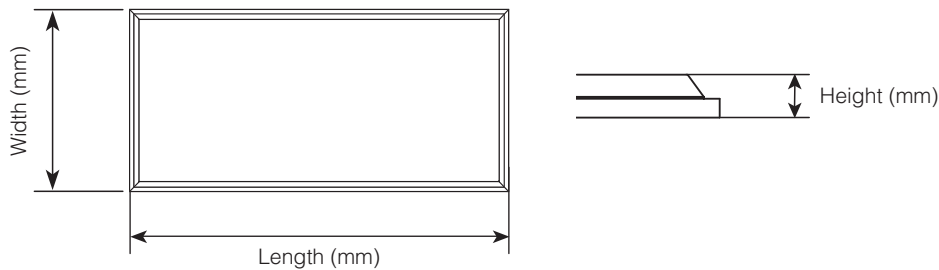
DISCLAIMERS

1. This product must be installed and used as per these instructions.
2. This product contains no serviceable parts and no attempt should be made to repair this product. If the product is faulty it should be discarded.
3. This product is not suitable for installation in hazardous and/or corrosive areas.
4. This product has been designed to operate in ambient temperatures -30oC to + 50oC.
5. Electrical installations periodically receive transient over voltages. This product has been designed to minimise the effect of such voltages on connected equipment. It may not give full protection for extreme over-voltage transients such as those resulting from a close lightning strike.
6. This product utilises intellectual property in the form of registered designs, trademarks, and/or patents. Such intellectual property remains the property of Teknik Lighting Solutions Pty Ltd in all cases.

SPECIFICATIONS

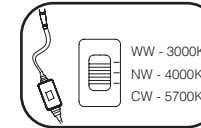
Model	600x300mm	600x600mm	1200x300mm	1200x600mm
Input Voltage	220-240 VAC ~ 50/60Hz			
Power	18W	30W	30W	50W
Lumen Output (Normal)	2000lm-2160lm	2700lm-3300lm	2700lm-3300lm	5200lm-5700lm
Colour Temperature	Tri-Colour (3000K/4000K/5700K)			
CRI	>80			
Beam Angle	120°			
Connection	Flex and Plug			
Lifetime	>30,000 hrs			
IP Rating	IP20			
Usage	Indoor Usage Only			

DIMENSIONAL DRAWING



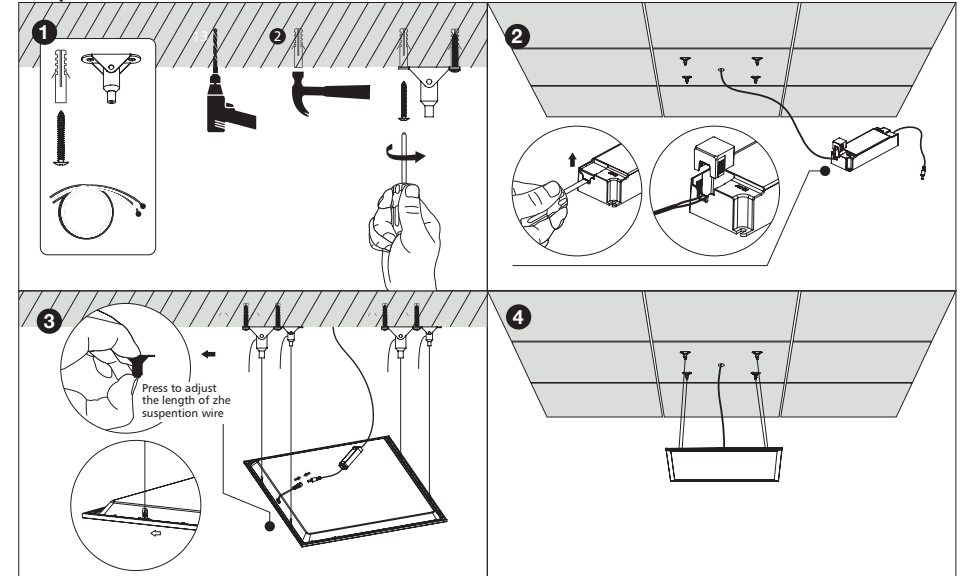
	Length mm	Width mm	Height mm
600x300	595	295	30
600x600	595	595	30
1200x300	1195	295	30
1200x600	1195	595	30

INSTALLATION



For colour selectable options, please select the light colour before installation. Choose colour by the slide switch with the corresponding colour temperature.

Suspension



Recessed

