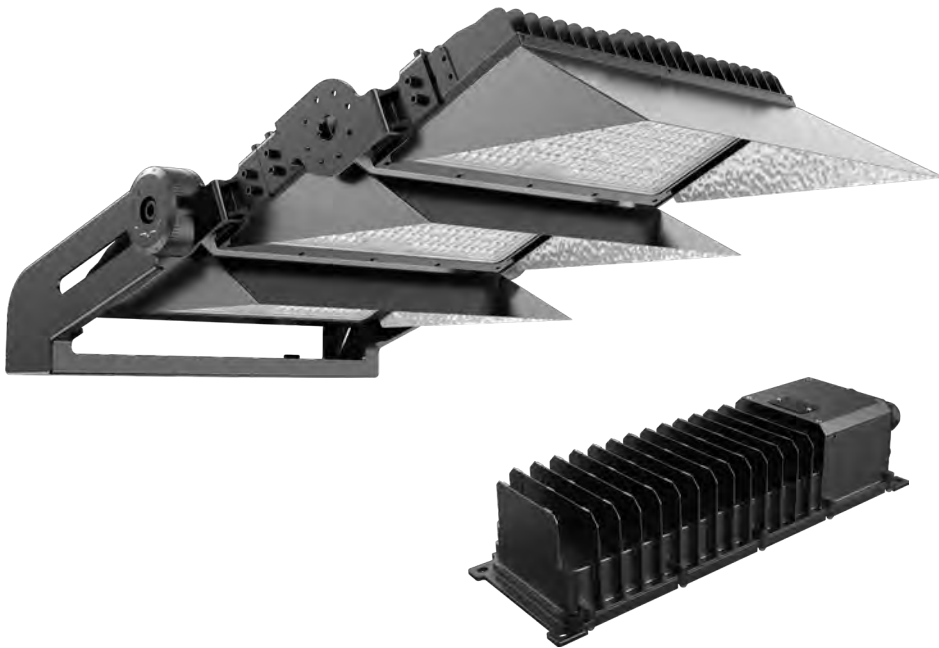




[ELITE]

LED FLOODLIGHT

USER MANUAL



INTRODUCTION

Please ensure that the luminaire is installed in accordance with the below instructions. **Teknik Lighting Solutions Pty Ltd** assumes no responsibility for inappropriate use or installation of the product, including any associated damage caused.

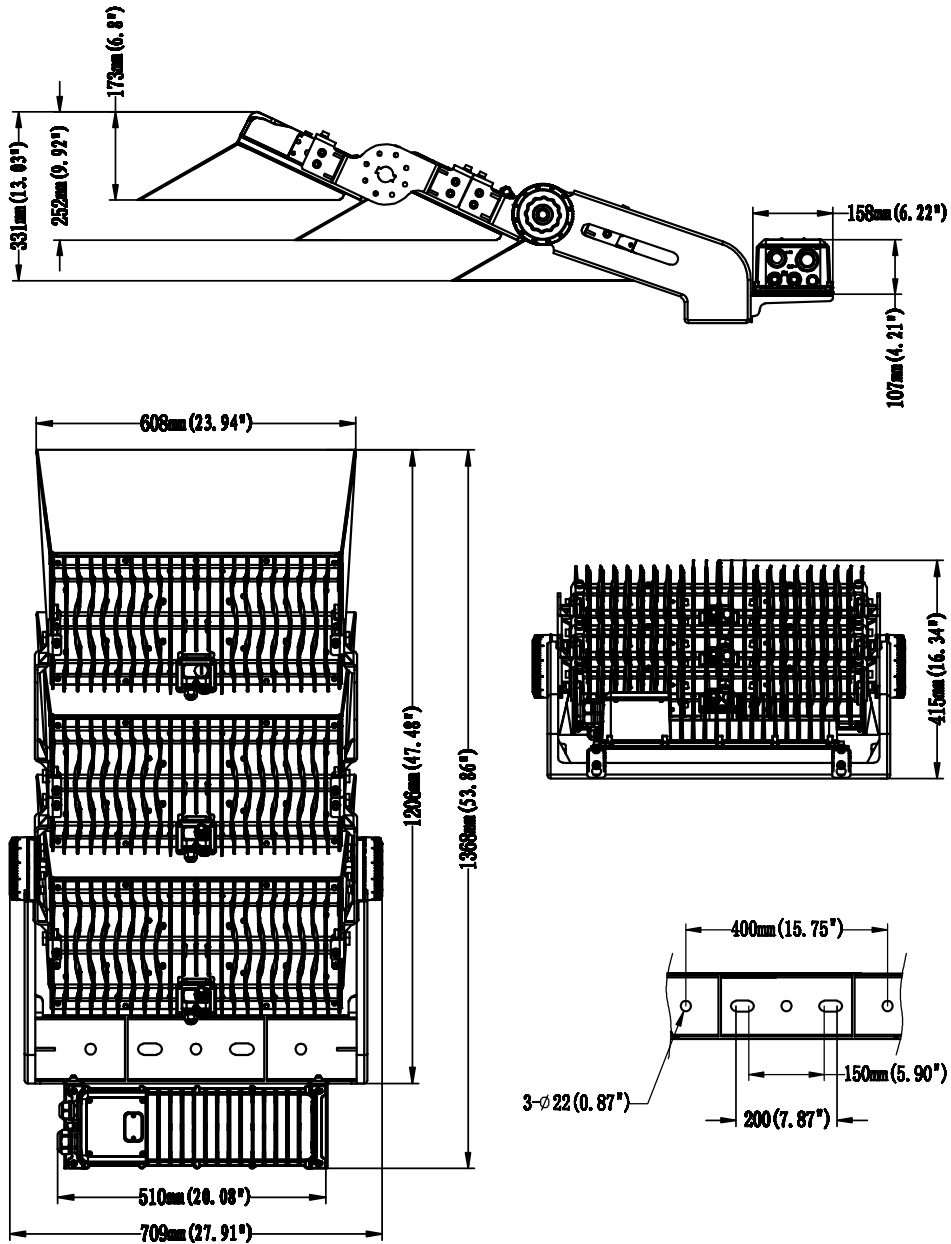
PRECAUTION

1. Read the entire manual carefully before installation and operation.
2. The Warranty Period is listed on the product and the packaging. Teknik will repair or replace the product if it fails or becomes defective during normal use within the prescribed warranty period.
3. Designed for industrial and commercial use.
4. The lifetime of the product is affected when it is used in a fully enclosed fixture.
5. Installation must be performed by a licenced and qualified electrician.
6. Use solid copper wire of 18 AWG (minimum) for the input terminal extension, and 20 AWG (minimum) for the output terminal extension.
7. Do not change or tamper with any internal electric circuits or wiring, connectors or cables for any reasons.
8. Do not insert foreign objects into the product. This may result in electric shock, malfunction or damage to the products.
9. When in operation the luminaire temperature may reach up to 45°C.
10. Teknik accepts no liability for any injuries or damages resulting from the incorrect use of the lamp or use of the lamp in combination with inappropriate equipment.
11. Luminaire is non-dimmable.
12. For further information, please contact Teknik Lighting Solutions or your local distributor.
13. This product has no user serviceable parts. If any part is damaged, disconnect from mains and discontinue use.
14. Warning: Luminaire marked as NON-IC according to AS/NZS60598-2.2. Not suitable for use on residential properties. DO NOT COVER OR ABUT. Any insulation material must be positioned at a minimum distance of 100 mm from the fitting.
15. In case of weight discrepancy when replacing old lamps, please ensure that the mounted structure is rated to withstand the weight of the new lamp and installation materials.
16. Do not cover the light.
17. The warranty shall exclude modifications to the product, incorrect installation and use outside of the intended scope.

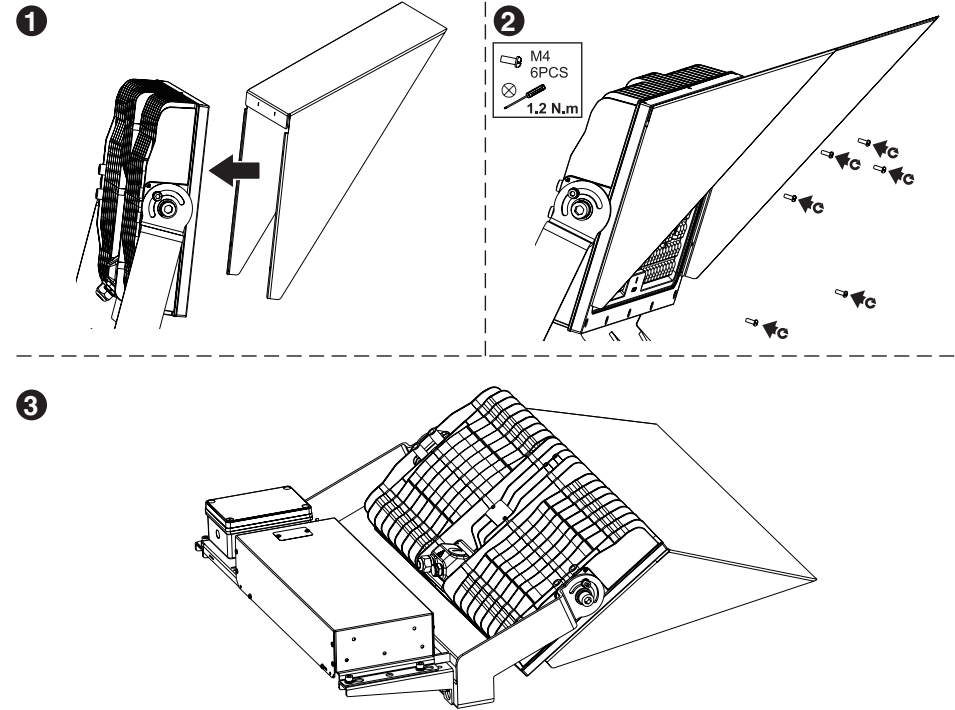
DISCLAIMERS

1. This product must be installed and used as per these instructions.
2. This product contains no serviceable parts and no attempt should be made to repair this product. If the product is faulty it should be discarded.
3. This product is not suitable for installation in hazardous and/or corrosive areas.
4. Electrical installations periodically receive transient over voltages. This product has been designed to minimise the effect of such voltages on connected equipment. It may not give full protection for extreme over-voltage transients such as those resulting from a close lightning strike.
5. This product utilises intellectual property in the form of registered designs, trademarks, and/or patents. Such intellectual property remains the property of Teknik Lighting Solutions Pty Ltd in all cases.
6. This product has been designed to operate in ambient temperatures -30°C to + 45°C.

DIMENSIONAL DRAWINGS

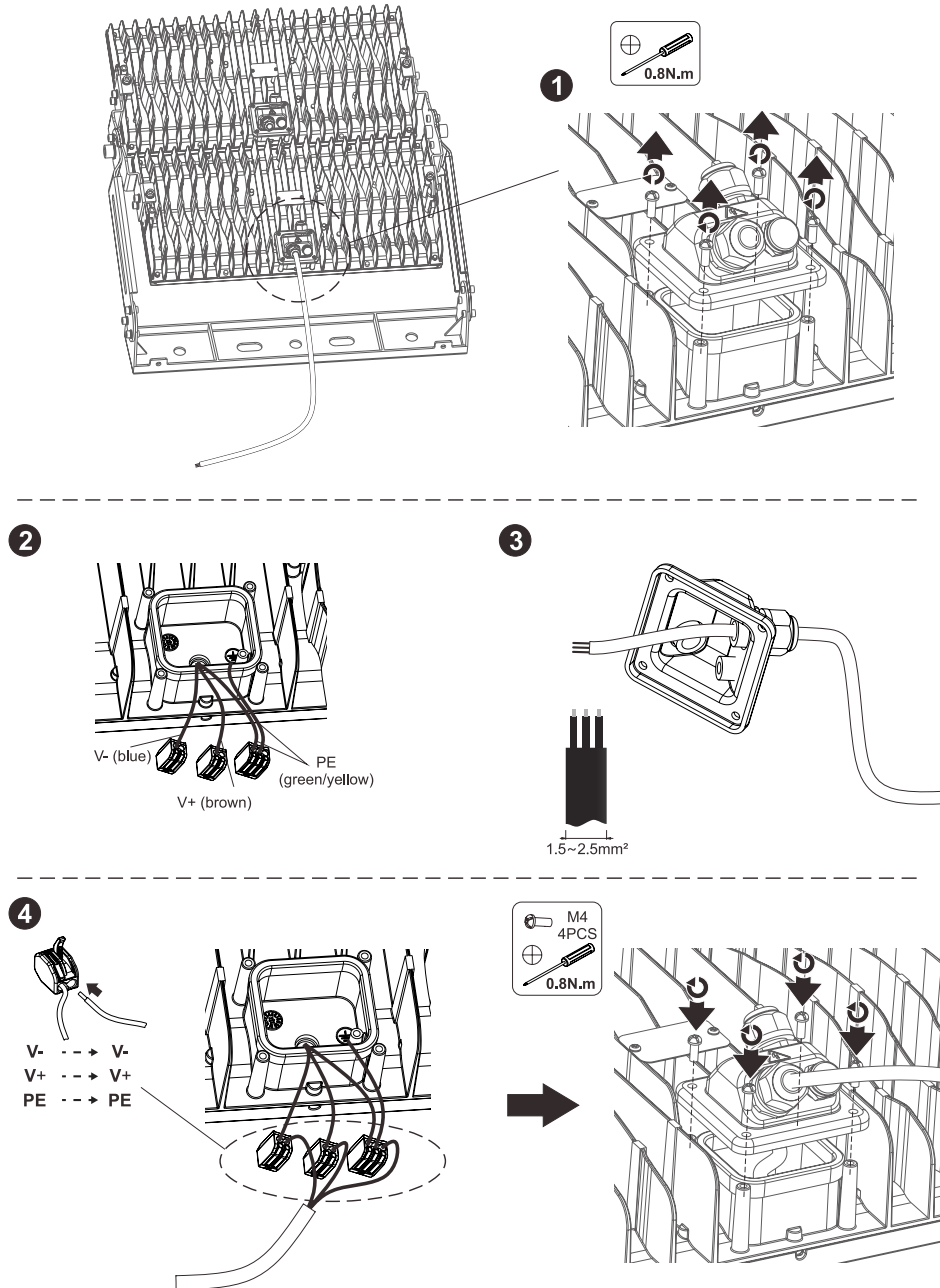


VISOR MOUNT

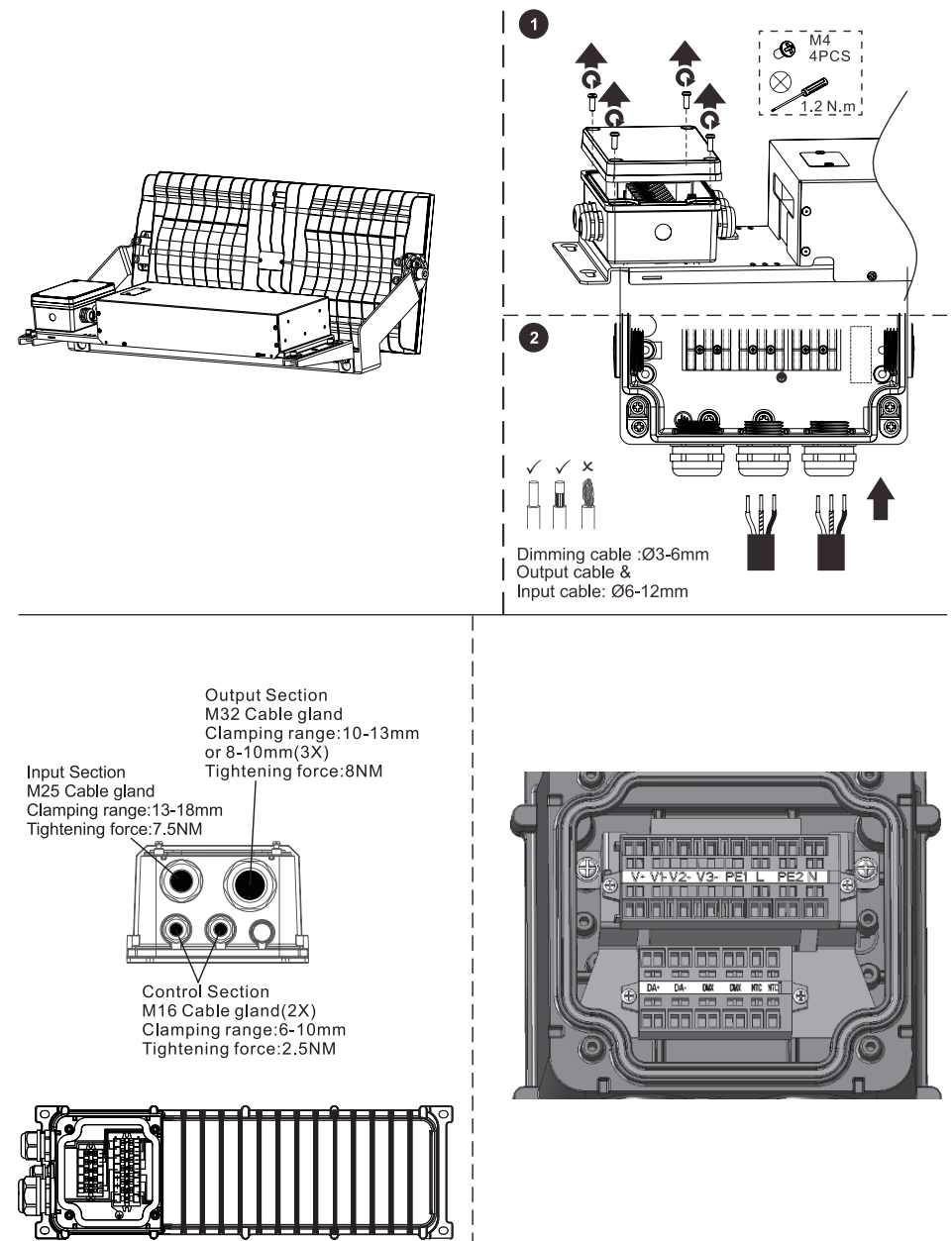


EPA (Unit: mm/inch)	S1					
		a=0°	a=30°	a=60°	a=90°	
1800W	S1	0.23m²/2.47ft²	0.26m²/2.79ft²	0.49m²/5.27ft²	0.64m²/6.88ft²	<170kg
	S2	0.64m²/6.88ft²	0.67m²/7.21ft²	0.52m²/5.59ft²	0.23m²/2.47ft²	
	S3	0.155m²/1.67ft²	0.155m²/1.67ft²	0.155m²/1.67ft²	0.155m²/1.67ft²	

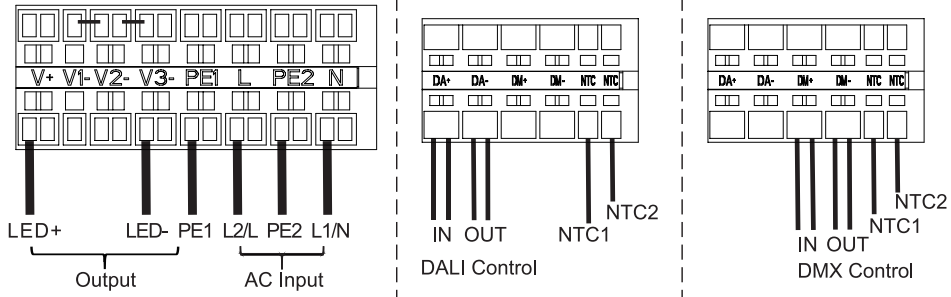
LAMP BODY WIRING



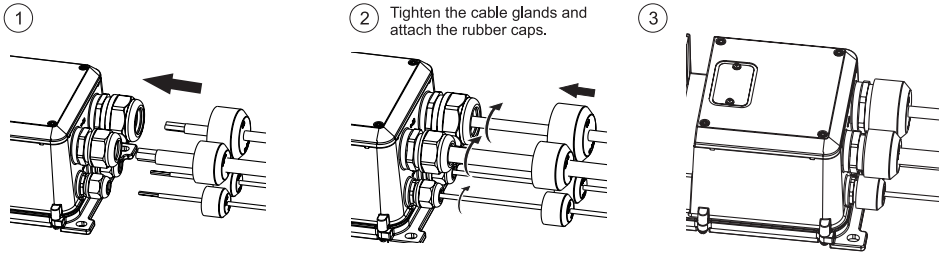
JUNCTION BOX WIRING



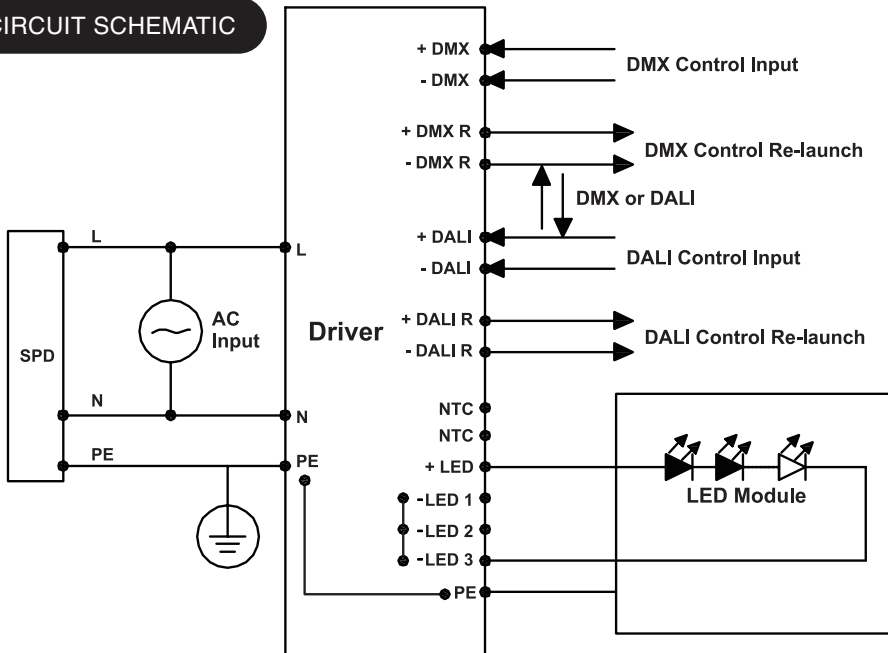
JUNCTION BOX WIRING CONTINUED



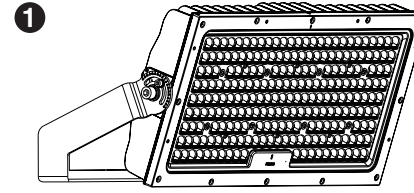
Add rubber caps to improve the waterproof reliability of the cable glands



CIRCUIT SCHEMATIC

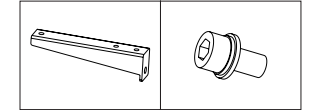


DRIVER BOX MOUNT

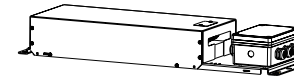


Lamp Body

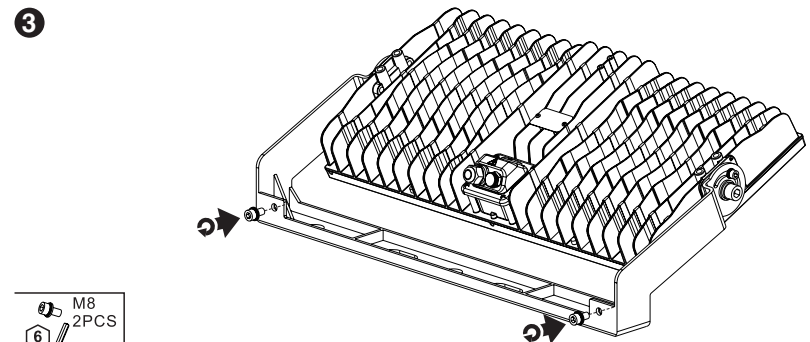
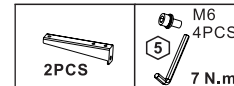
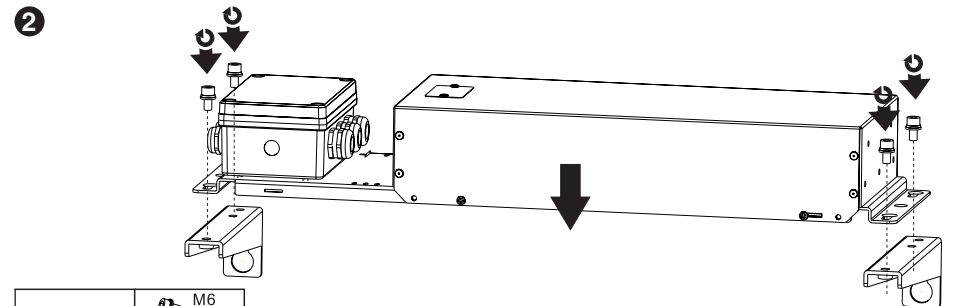
Accessories



Tool

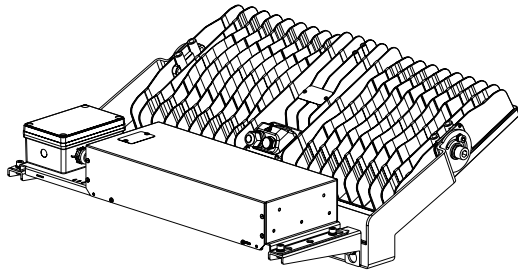


Power Supply

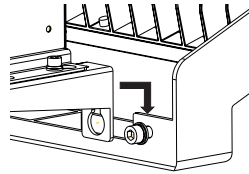


DRIVER BOX MOUNT CONTINUED

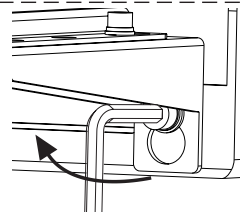
4



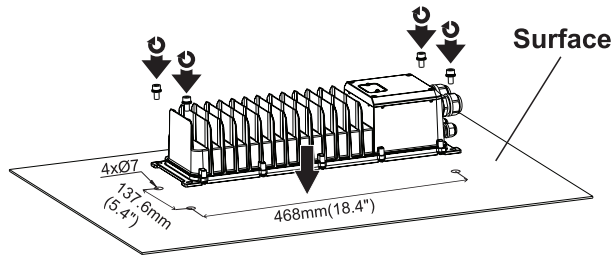
1



2

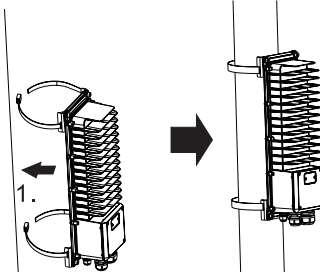
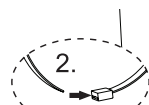
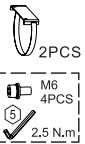
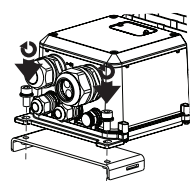


Surface Mount



Clamp Mount (Optional)

1

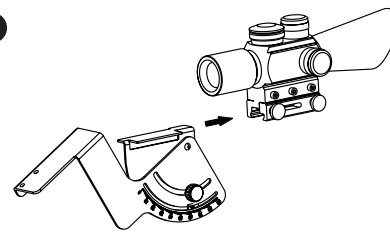


Size:
Ø130~300mm

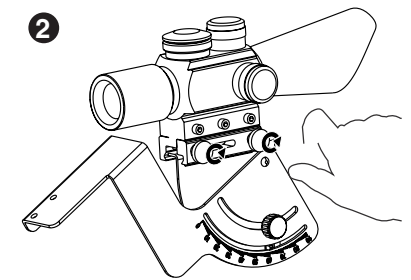
Cable glands down.

AIMING DEVICE MOUNT

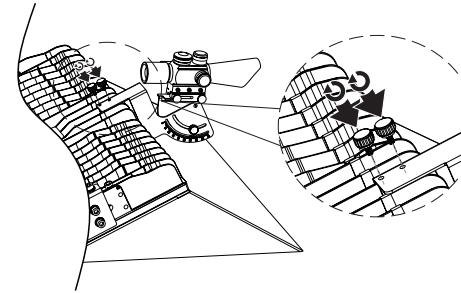
1



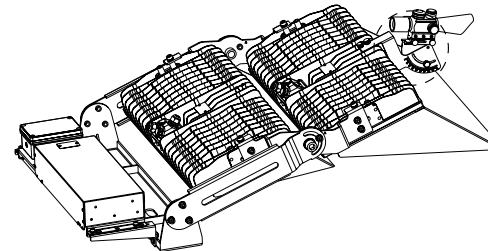
2



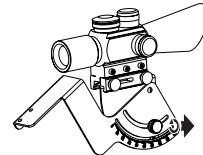
3



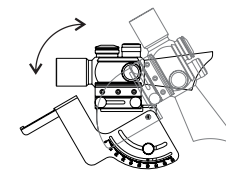
4



1

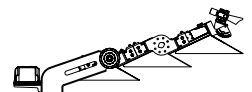
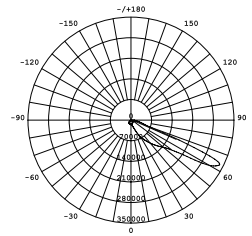
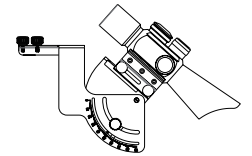


2

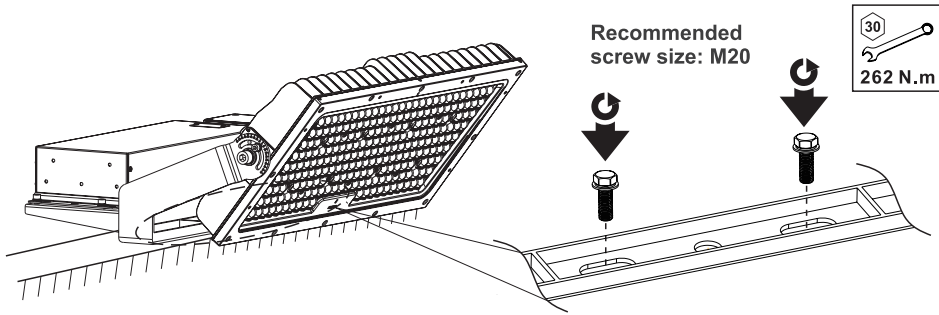


T4

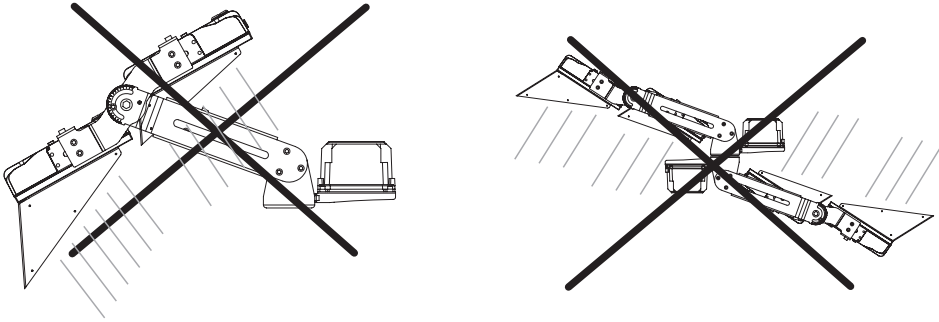
48.5°



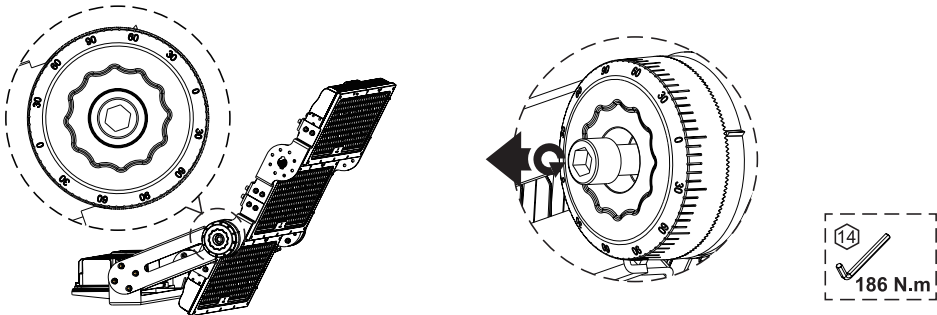
COMPLETE FIXTURE MOUNT



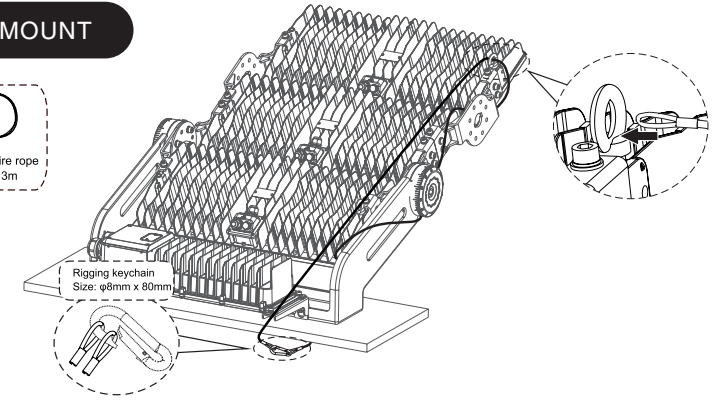
POSITIONS NOT ALLOWED



ROTATABLE ANGLE

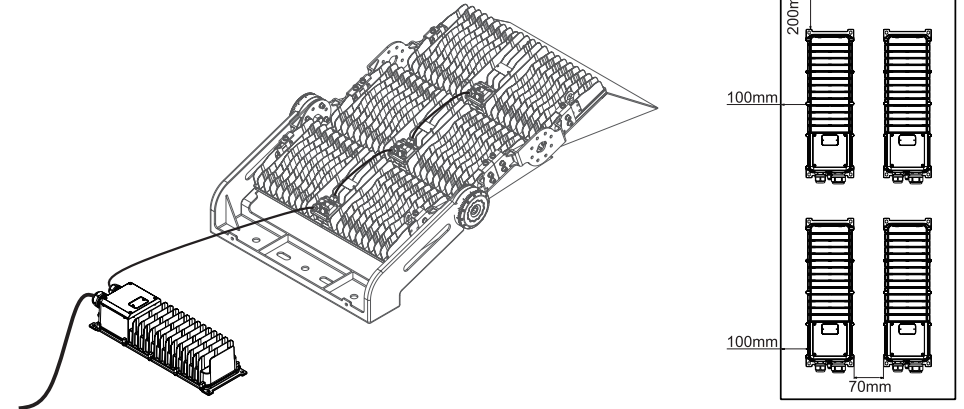


SAFETY ROPE MOUNT



CLEARANCE DISTANCE

When the driver boxes are installed in a confined space, the minimum installation clearance must be ensured. Make sure that the measured temperature (5cm away from the driver box) is not higher than the Ta max temperature of the lamp. Please refer to the distance instruction on the right.



MAXIMUM NUMBER OF CONNECTED LUMINAIRES

Lamp Type	MCB Type	Input Voltage	Quantity
1800W	MCB B 16 Type	200-420V	1
	MCB B 32 Type	200-420V	3
	MCB C 16 Type	200-420V	1
	MCB C 32 Type	200-420V	3

Disclaimer: For reference only. The quantity of luminaires per circuit breaker must be based on the approved electrical design by a qualified electrical system design engineer.