

[ENVIROBAY]

LED HIGHBAY



Description

The [ENVIROBAY] is purpose designed to maximise energy savings without compromising on output. With the included plug and play sensor, the [ENVIROBAY] provides flexibility for your individual needs. [ENVIROBAY] has an efficacy of 190lm/W, an IP65 rating, and comes with a five-year warranty making it the ideal choice for many commercial and industrial applications.

Control Module

Specially designed plug and play module for simple change between standard and sensor version

Key Features

- High efficacy up to 190lm/W
- Included sensor incorporating daylight harvesting and motion detection
- 5-year warranty
- Suitable for commercial or industrial environment



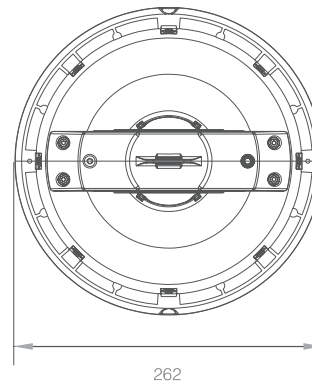
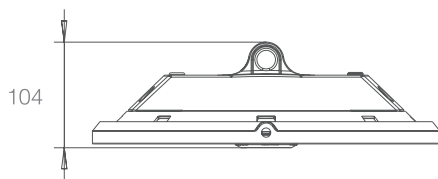


Technical Specifications

Rated Life	≥50,000 hours
Body	Aluminium
Installation	Chain mounted Surface mounted (optional bracket)
Beam Angle	120°
Power Factor	>0.95
CRI	>80

Operating Temperature	-40°C to +50°C
Input Voltage	100-277 VAC ~ 50/60Hz
IP Rating	IP65
IK Rating	IK08
Net Weight	2.1kg
Connection	Flex and Plug

Dimensional Drawings



Product Data

Part Number	Power	Lumen Output	CCT	Beam Angle	Diameter	Height	Weight
HE-100D120-S	100W	19,000lm	5000K	120°	262mm	104mm	2.10kg

CONTROL MODULE

Sensor Module	HL-SEN
HF System	5.8GHz CW Radar
Detection Range	Max. 16 x 12m / 30° - 150°
Daylight Sensor	2 - 500lux / Disable
Standby Mode	10s - 1hr / 10-50% Dimming

Sensor settings customisable via optional remote control

