



[FLUSHBAY]

LED CANOPY

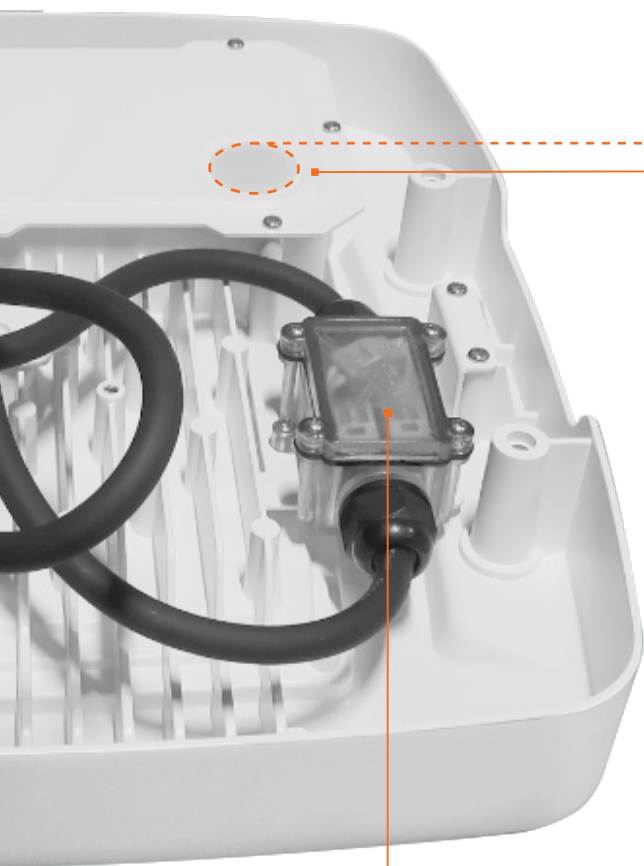


Description

The [FLUSHBAY] LED Canopy is a sleek option that will provide high efficacy, stylish design and energy efficiency in multiple indoor and outdoor areas, for example, parking structures, storage areas, service stations, walkways, and more.

Key Features

- Stylish, lightweight design provides excellent thermal management performance
- Efficacy up to 150lm/W
- Reduced glare
- High colour rendering of >80
- Low maintenance with a long lifespan
- Easy operation
- Multiple installation options

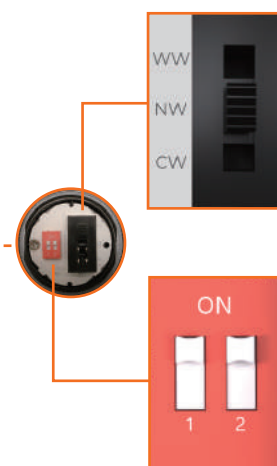


Junction Box

Suitable for either
 3x1.5mm² or
 3x2.5mm² cord entry

Colour & Wattage Selection

The built-in dip switch provides a choice of 3 colour temperatures and 4 wattages

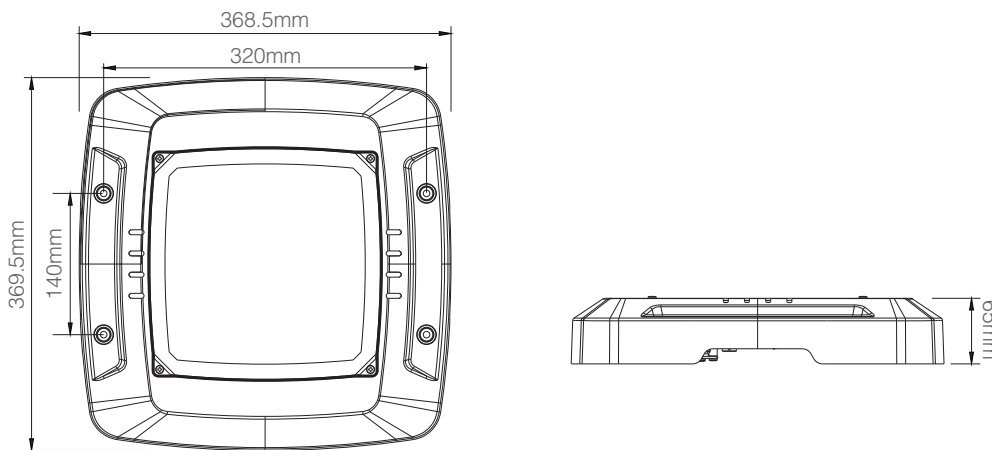




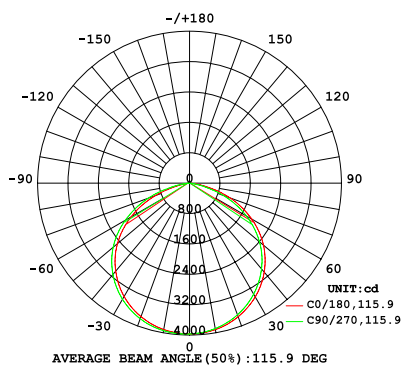
Technical Specifications

Rated Life	≥50,000 hours	CRI	>80
Body	Powder Coated Aluminium Alloy	Operating Temperature	-30°C to +50°C
Installation	Surface Mount Surface Mount with Adaptor Plate G 3/4 Conduit Mount	Input Voltage	120 - 240V~ 50/60Hz
Beam Angle	120°	IP Rating	IP65
Power Factor	>0.92	Connection	Junction Box
		Weight	4.4kg

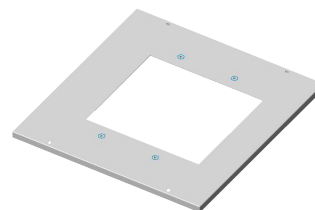
Dimensional Drawing



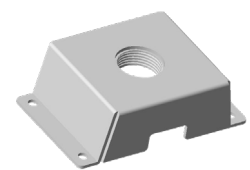
Photometry



Accessories



Surface Mount Adaptor Plate
CF-SM-ADP



Conduit Mount Adaptor
CF-CON-ADT

Custom adaptor plate sizes available as special order, please contact your Teknik Lighting Solutions representative for further information. Minimum order quantities may apply.

Product Data

Part Number	Power	Lumen Output	CCT
CF-120S120	36W-120W	5400lm-18,000lm	3000K/4000K/5000K