



[FLUSHBAY]

LED CANOPY

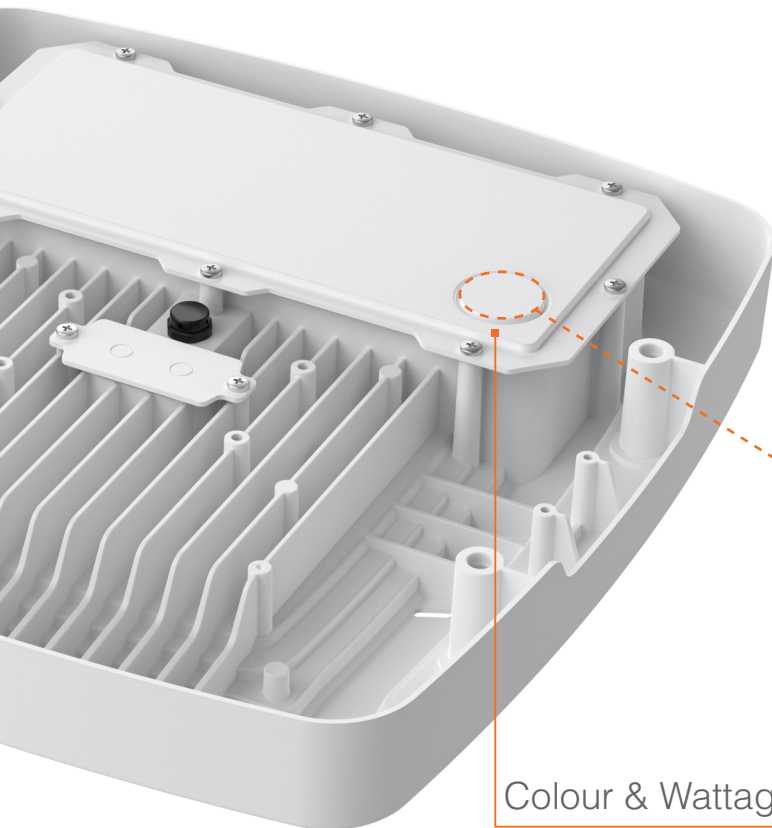


Description

The [FLUSHBAY] LED Canopy is a sleek option that will provide high efficacy, stylish design and energy efficiency in multiple indoor and outdoor areas, for example, parking structures, storage areas, service stations, walkways, and more.

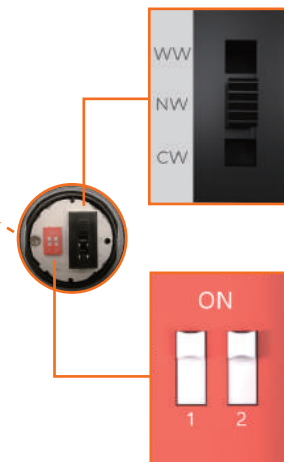
Key Features

- Stylish, lightweight design provides excellent thermal management performance
- Efficacy up to 150lm/W
- Reduced glare
- High colour rendering of >Ra80
- Low maintenance with a long lifespan
- Easy operation
- Multiple installation options



Colour & Wattage Selection

The built-in dip switch provides a choice of 3 colour temperatures and 4 wattages

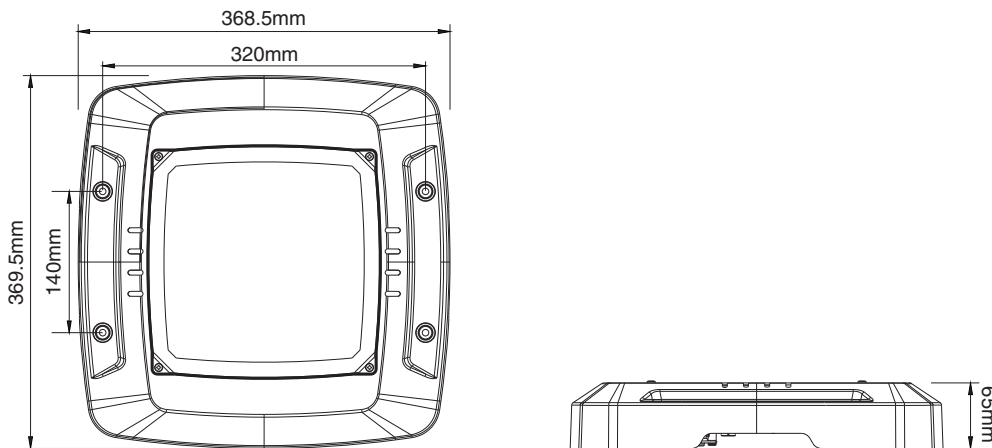




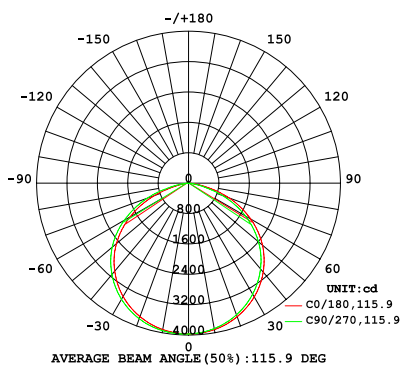
Technical Specifications

Rated Life	≥50,000 hours	CRI	>Ra80
Body	Powder Coated Aluminium Alloy	Operating Temperature	-30°C to +50°C
Installation	Surface Mount Surface Mount with Adaptor Plate G 3/4 Conduit Mount	Input Voltage	120 - 240 VAC ~ 50/60Hz
Beam Angle	120°	IP Rating	IP65
Power Factor	>0.92	Connection	Junction Box
		Weight	4.4kg

Dimensional Drawing



Photometry



Product Data

Part Number	Power	Lumen Output	CCT
CF-120S120	36W-120W	5400lm-18,000lm	3000K/4000K/5000K