

TEKNIK [FLUSHBAY]

LIGHTING SOLUTIONS LED CANOPY

5 YEAR
PRODUCT
WARRANTY

W
WATTAGE
SELECTABLE

S:
COLOUR
SELECTABLE

IP
65
INGRESS
PROTECTION

IK
08
IMPACT
PROTECTION

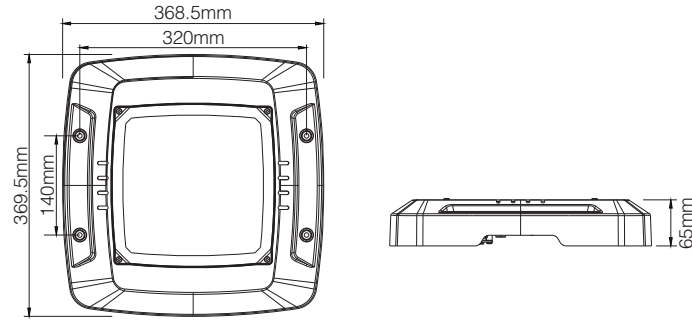


FLUSHBAY
LEARN MORE

Please ensure that the luminaire is installed in accordance with the below instructions. **Teknik Lighting Solutions Pty Ltd** assumes no responsibility for inappropriate use or installation of the product, including any associated damage caused.

- Electrical Safety:** Not a DIY product. Ensure the fitting is installed by a qualified electrician in compliance with relevant Australian Standards (AS3000) and local regulations (where applicable). Always turn off the power supply before installation, maintenance, or cleaning.
- Compatibility:** Verify that the fitting is compatible with the existing power supply, mounting structure and dimmer systems, if applicable. Using incompatible equipment may result in damage or reduced performance.
- Damage Check:** Inspect for damage before installation. Do not use fittings with visible damage to wires, housing, or components.
- Avoid Modifications:** This product is intended for use in accordance with its specifications and installation guidelines. Any use outside these parameters is at the user's risk. Do not alter or tamper with the fitting. Unauthorised modifications can compromise safety and void the warranty.
- Switch Cycles:** Good design practice does not encourage 24/7 continuous operation of lighting products without a routine switching or regulatory test cycle. For extended use, limit operation to 12 hours per day for industrial/commercial applications and 6 hours per day for residential applications.
- Disposal:** Dispose of fittings responsibly in accordance with local recycling and disposal regulations. LEDs contain electronic components that may require special handling.
- Liability Limitation:** TEKNIK shall not be held liable for incidental, indirect, or consequential damages resulting from the use or inability to use this product.
- Intellectual Property:** This product utilises intellectual property in the form of registered designs, trademarks, and/or patents. Such intellectual property remains the property of Teknik Lighting Solutions Pty Ltd in all cases.

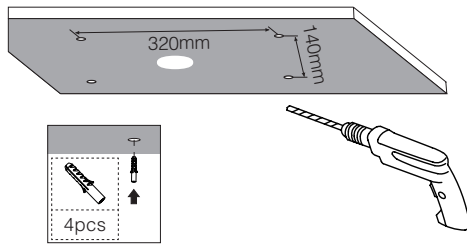
DIMENSIONAL DRAWING



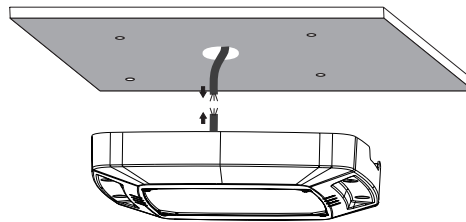
INSTALLATION: SURFACE MOUNT

WARNING: Switch off power supply before installation or maintenance. Switch back on only after installation and examination of the circuit are completed.

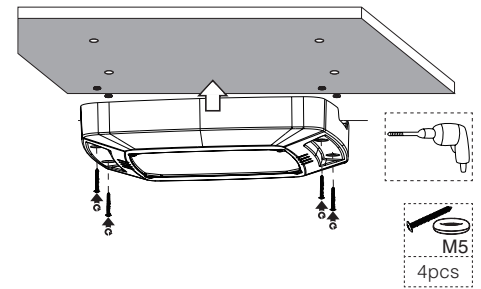
1 ✖



2 ✖



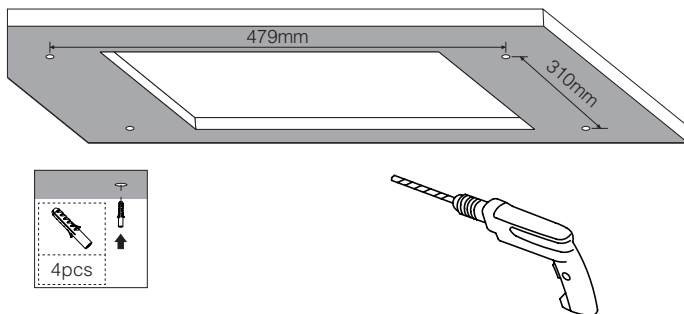
3 ✖



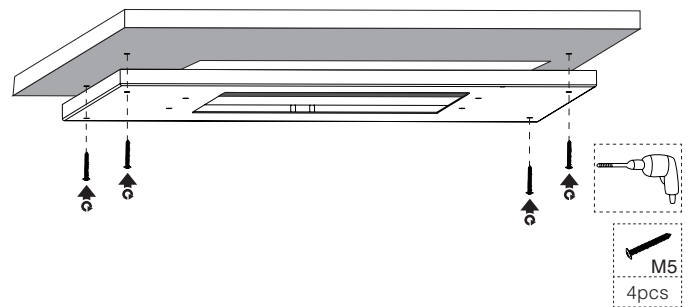
INSTALLATION: SURFACE MOUNT WITH ADAPTOR PLATE

WARNING: Switch off power supply before installation or maintenance. Switch back on only after installation and examination of the circuit are completed.

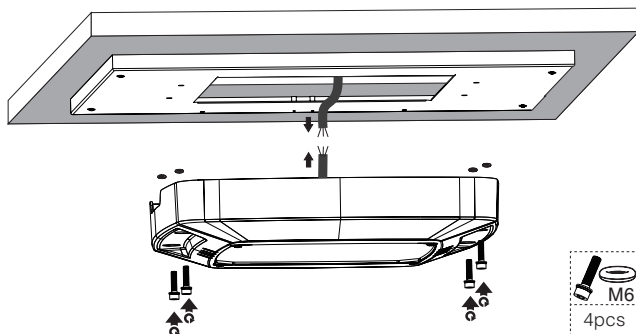
1 ✖



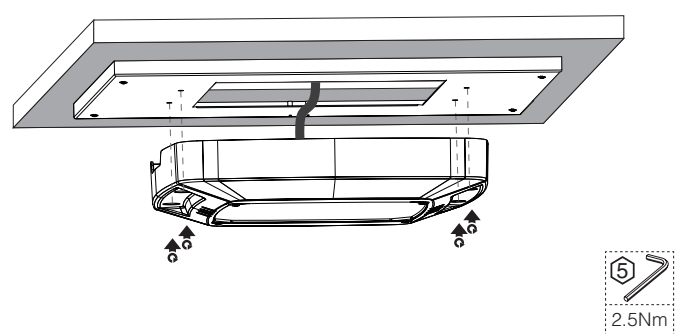
2 ✖



3 ✖



4 ✖



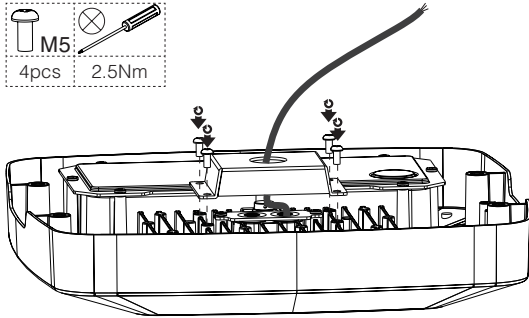
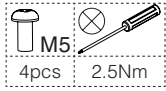


FLUSHBAY
LEARN MORE

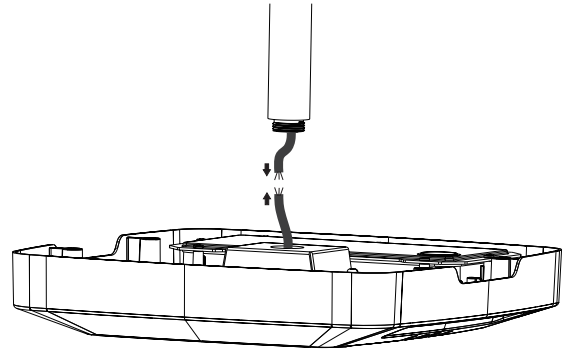
INSTALLATION: G 3/4 CONDUIT MOUNT

WARNING: Switch off power supply before installation or maintenance. Switch back on only after installation and examination of the circuit are completed.

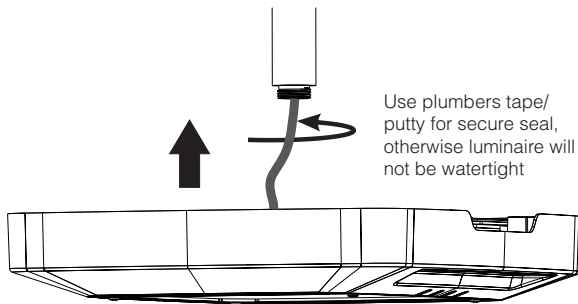
1 ✖



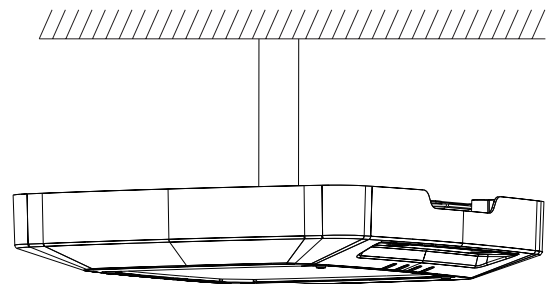
2 ✖



3 ✖



4 ✖



COLOUR TEMPERATURE AND WATTAGE SELECTION

Note: Use the dipswitch to select required power and CCT before installation.

