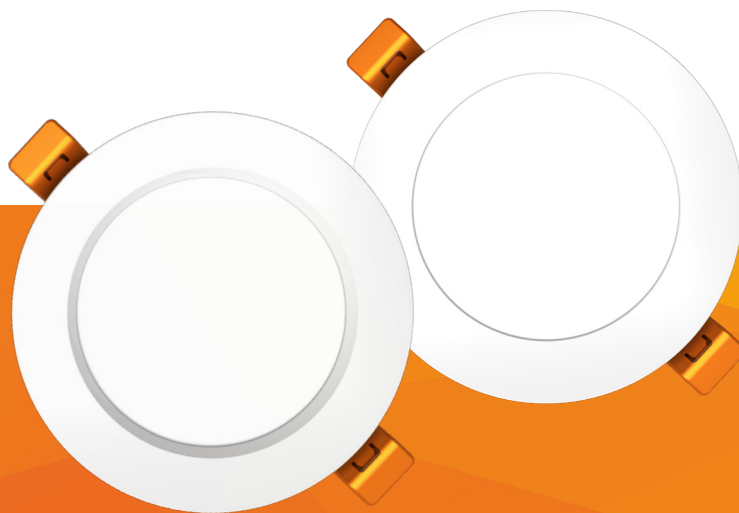


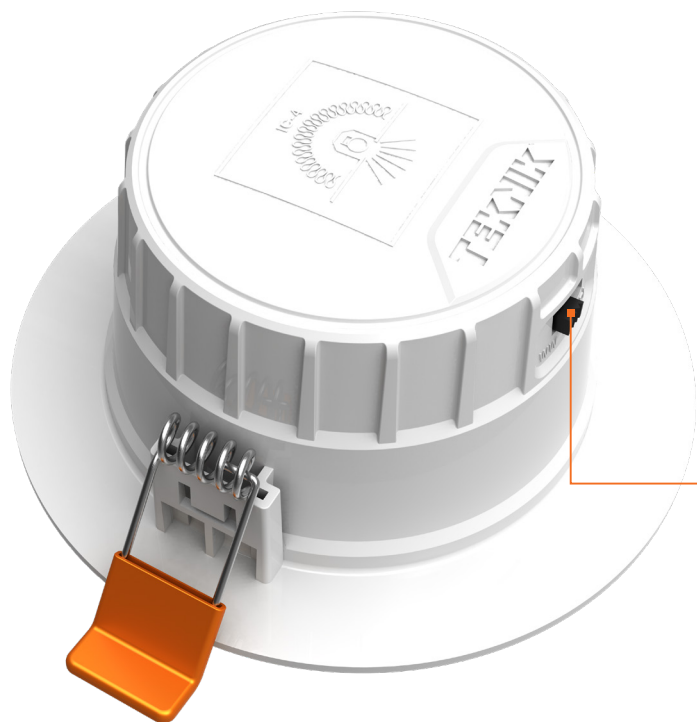
[GEM]

LED DOWNLIGHT



Description

The [GEM] LED downlight is an easy-to-install, cost-effective alternative to traditional halogen downlights. The [GEM] has a high quality, plastic coated aluminium body, and a broad-range of dimming compatibility along with selectable colour temperatures. The [GEM] LED downlight is the perfect choice where a high quality downlight is required on a budget.

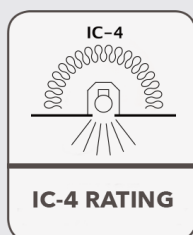


Key Features

- Dimmable with common leading/trailing edge dimmers
(for our latest compatibility list please visit our website)
- IC-4 rated
- Flame resistant plastic coated aluminium body

Colour Selectable

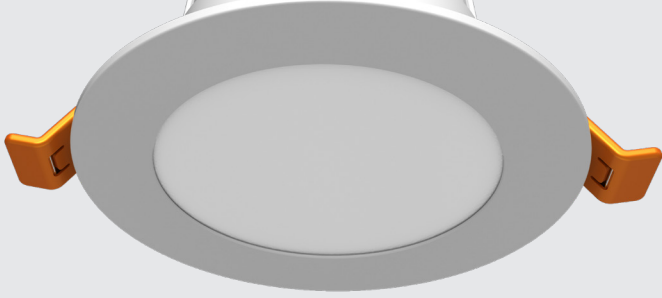
Warm White, Cool
White or Daylight colour
selectable via inbuilt
dip switch



An IC-4 rated downlight can be abutted and directly covered with insulation. This makes the installation process easier as the insulation can be laid unbroken over the whole ceiling area.

The main benefits of IC-4 downlights include:

- Simple and fast installation process
- Reduced labour per fitting
- Maintaining the integrity of the insulation as it can be laid unbroken over the ceiling



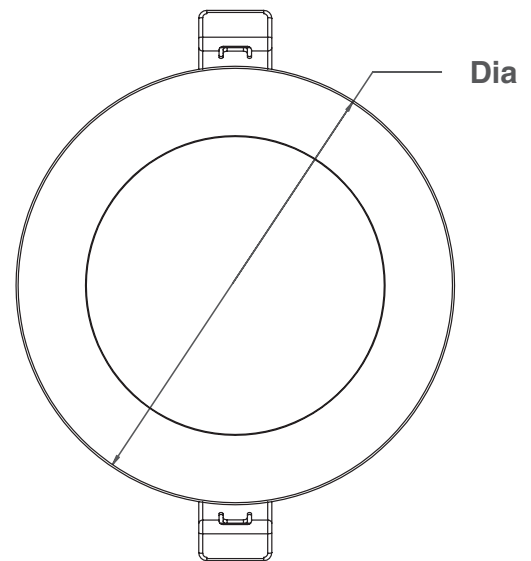
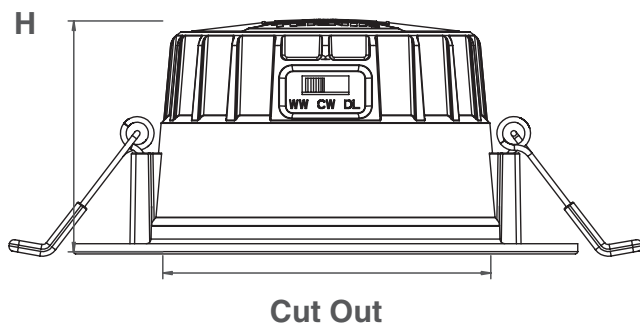
Technical Specifications

Rated Life	≥25,000 hours
Body	Aluminium/Plastic Coating
Installation	Recessed
Beam Angle	110°
Power Factor	>0.9
CRI	>80

Operating Temperature	-20°C to +45°C
Input Voltage	220-240 VAC ~ 50/60Hz
IP Rating	IP44
Connection	Flex & Plug (0.6m)
Net Weight	0.2 kg

Dimensional Drawing

Diameter	Height	Cut Out
Ø108mm	50mm	Ø90mm



Product Data

Part Number	Power	Lumen Output	CCT
DG-35-8S120	8W	700lm/750lm/720lm	3000K/4000K/5700K
DG-35-8S120-F	8W	700lm/750lm/720lm	3000K/4000K/5700K