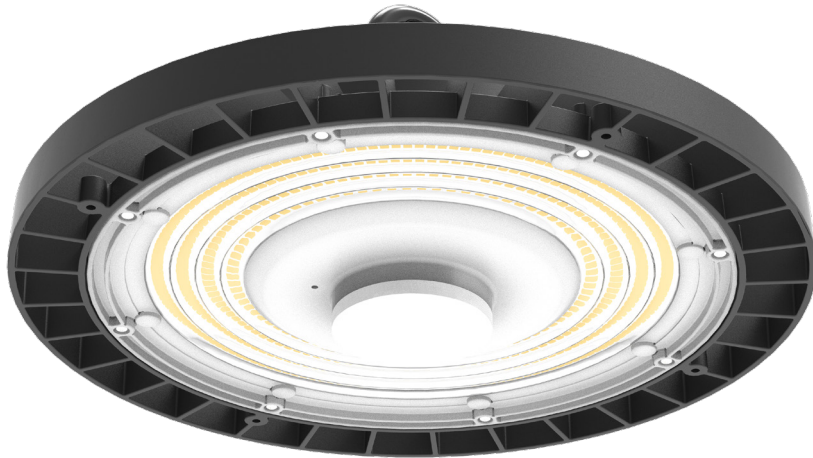




[LITEBAY]

GEN 2 LED HIGHBAY

USER MANUAL



Optional Sensor
Module Available



INTRODUCTION

Please ensure that the luminaire is installed in accordance with the below instructions. **Teknik Lighting Solutions Pty Ltd** assumes no responsibility for inappropriate use or installation of the product, including any associated damage caused.

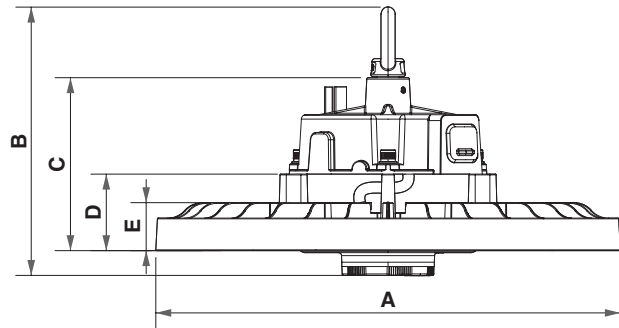
PRECAUTION

1. Read the entire manual carefully before installation and operation.
2. The Warranty Period is listed on the product and the packaging. Teknik will repair or replace the product if it fails or becomes defective during normal use within the prescribed warranty period.
3. Installation must be performed by a licenced and qualified electrician.
4. Do not change or tamper with any internal electric circuits or wiring, connectors or cables for any reasons.
5. Do not insert foreign objects into the product. This may result in electric shock, malfunction or damage to the products.
6. When in operation the luminaire temperature may reach up to 60°C.
7. Instant restart is allowed.
8. Teknik accepts no liability for any injuries or damages resulting from the incorrect use of the lamp or use of the lamp in combination with inappropriate equipment.
9. The warranty shall exclude modifications to the product, incorrect installation and use outside of the intended scope.
10. In case of weight discrepancy when replacing old lamps, please ensure that the mounted structure is rated to withstand the weight of the new lamp and installation materials.
11. Declared lumen output is based upon measurements obtained during operation on the appointed LED electronic driver under standardised laboratory conditions.
12. For further information, please contact Teknik Lighting Solutions or your local distributor.

DISCLAIMERS

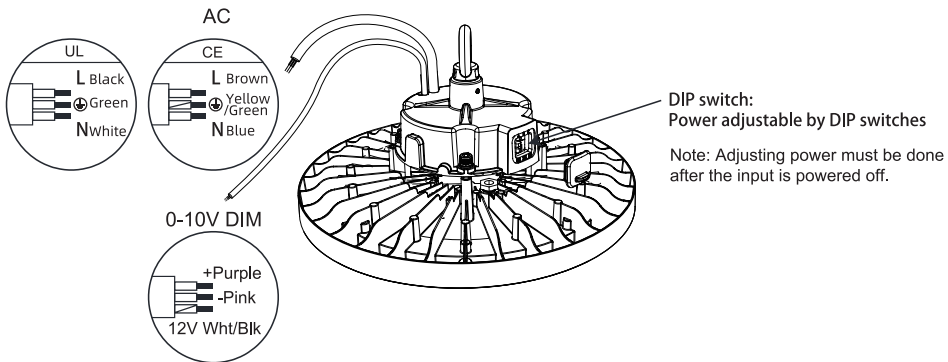
1. This product must be installed and used as per these instructions.
2. This product contains no serviceable parts and no attempt should be made to repair this product. If the product is faulty it should be discarded.
3. Electrical installations periodically receive transient over voltages. This product has been designed to minimise the effect of such voltages on connected equipment. It may not give full protection for extreme over-voltage transients such as those resulting from a close lightning strike.
4. This product is not suitable for installation in hazardous and/or corrosive areas.
5. This product utilises intellectual property in the form of registered designs, trademarks, and/or patents. Such intellectual property remains the property of Teknik Lighting Solutions Pty Ltd in all cases.
6. This product has been designed to operate in ambient temperatures -20°C to +45°C.

DIMENSIONAL DRAWING



Model	A mm	B mm	C mm	D mm	E mm	Weight kg
HL-200D120-G2	ø300	174	112	50	31	2.35

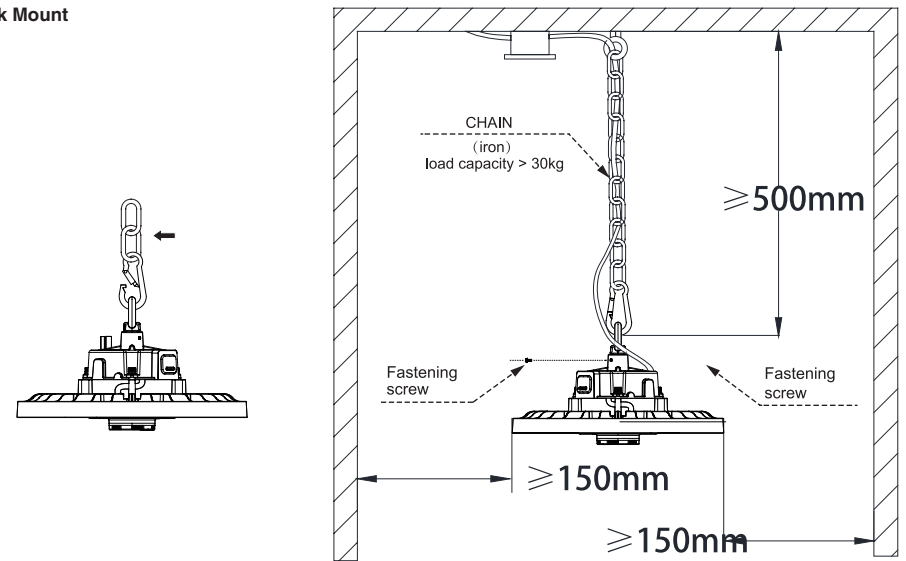
WIRING DIAGRAM



INSTALLATION

Note: Supplied safety lanyard should be used for all installation options.

Hook Mount



Bracket Mount (optional)

