

**TEKNIK**  
LIGHTING SOLUTIONS

**5** YEAR  
PRODUCT  
WARRANTY

**IP  
65**  
INGRESS  
PROTECTION

**IK  
08**  
IMPACT  
PROTECTION

# [LITEBAY]

LED HIGHBAY

USER MANUAL



*Optional Wattage Selection  
or Sensor Modules Available*



Teknik Lighting Solutions Pty Ltd

ABN: 44 608 397 913

Tel: 1300 313 780

[www.tekniklighting.com.au](http://www.tekniklighting.com.au)



## INTRODUCTION

Thank you for selecting the [LITEBAY] LED Highbay. Please ensure that the luminaire is installed in accordance with the below instructions. **Teknik Lighting Solutions Pty Ltd** assumes no responsibility for inappropriate use or installation of the product, including any associated damage caused.

- 5 year warranty
- Optional 5 level wattage switchable functionality
- Unique heat sink design to reduce dust build up
- Smart hook system for easy and quick installation
- Optional motion and daylight sensor for intelligent lighting control

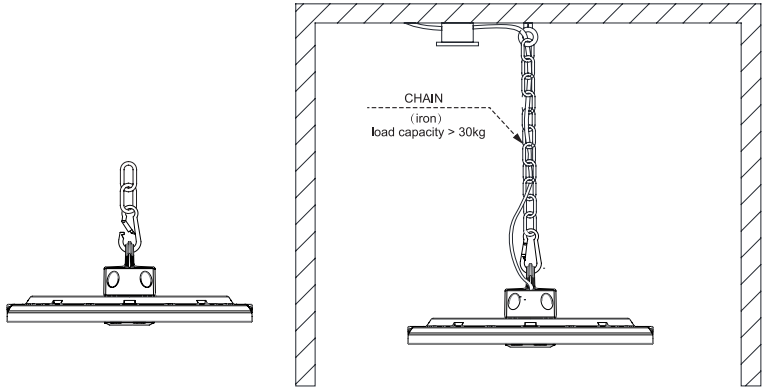
## PRECAUTION

1. Read the entire manual carefully prior to installation and operation.
2. The warranty period is listed on the product as well as on the packaging. Teknik will repair or replace the product if it becomes defective under normal use due to a manufacturing defect within the prescribed period.
3. Declared lumen output is based upon measurements obtained during operation on the appointed LED electronic driver under standardised laboratory conditions.
4. Installation must be performed by a licensed and qualified electrician, in accordance with these instructions and relevant Australian Standards.
5. Instant restart is allowed.
6. Do not change or tamper with any internal electric circuits, add any wires, connectors or cables for any reason.
7. Please do not insert any physical objects of any nature into the fitting as this may cause electric shock, malfunction or damage to the products.
8. Before replacement of the fitting turn the power off and allow to cool down.
9. In case of weight discrepancy when replacing old lamps, please ensure that the mounted structure is rated to withstand the weight of the new lamp and installation materials.
10. For further information, please contact Teknik ([www.tekniklighting.com.au](http://www.tekniklighting.com.au)) or your local distributor.

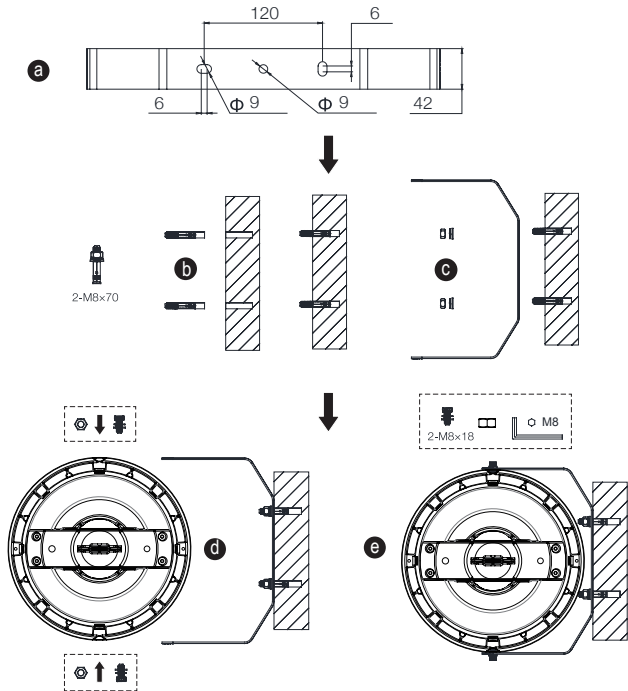
# INSTALLATION DIAGRAM

Note: Supplied safety lanyard should be used for all installation options.

## Hook Mount

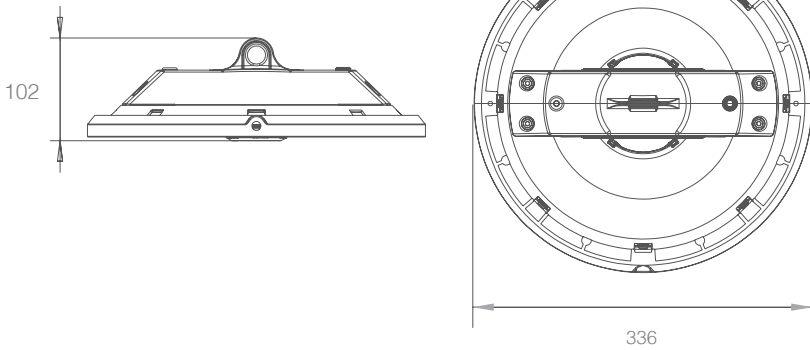


## Bracket Mount (Optional)

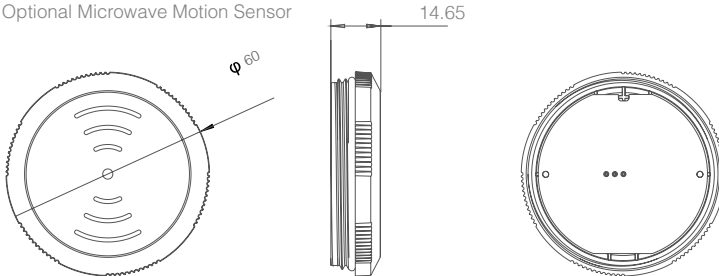


## DIMENSIONAL DRAWING

Unit = mm



[LITEBAY] Optional Microwave Motion Sensor



## NOTES

1. In case of weight discrepancy when replacing old luminaires, please ensure that the mounting structure is rated to withstand the weight of the new luminaires and installation materials.
2. For further information, please contact Teknik ([www.tekniklighting.com.au](http://www.tekniklighting.com.au)) or your local distributors.

## DISCLAIMERS

1. This product must be installed and used as per these instructions.
2. This product contains no serviceable parts and no attempt should be made to repair this product. If the product is faulty it should be discarded.
3. This product is not suitable for installation in hazardous and/or corrosive areas.
4. Electrical installations periodically receive transient over voltages. This product has been designed to minimise the effect of such voltages on connected equipment. It may not give full protection for extreme over-voltage transients such as those resulting from a close lightning strike.
5. This product utilises intellectual property in the form of registered designs, trademarks, and/or patents. Such intellectual property remains the property of Teknik Lighting Solutions Pty Ltd in all cases.
6. This product has been designed to operate in ambient temperatures  $-40^{\circ}\text{C}$  to  $+50^{\circ}\text{C}$ .