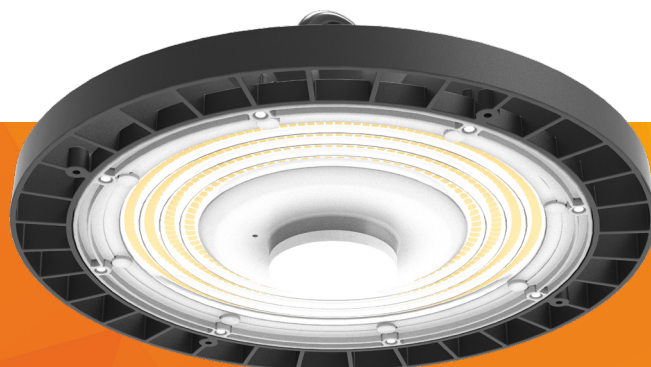


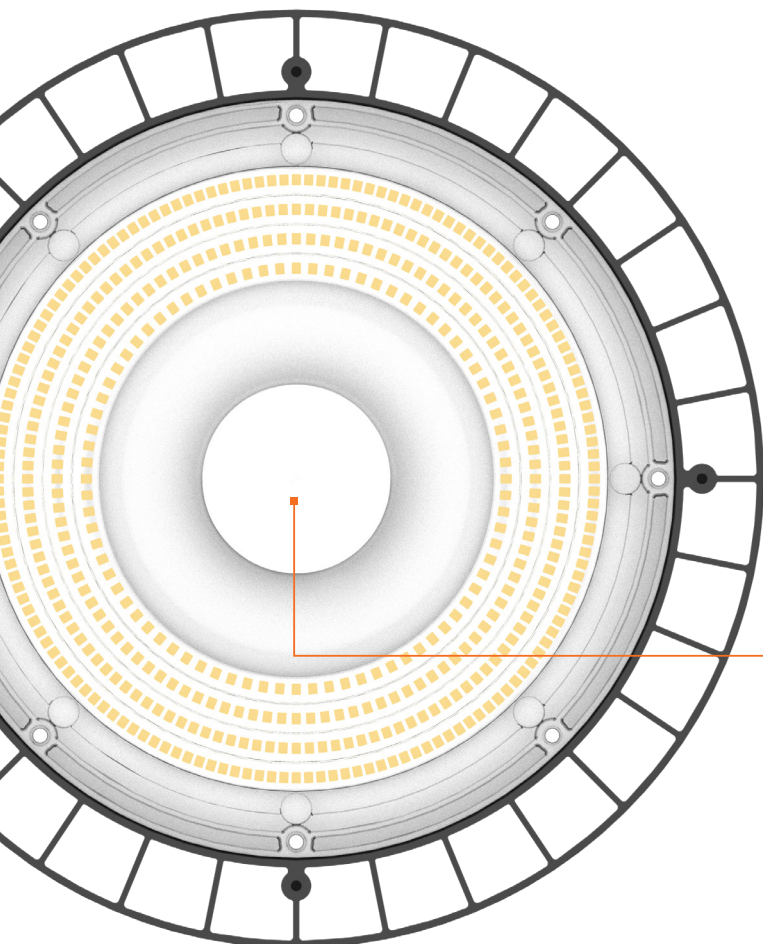
# [LITEBAY]

## GEN 2 LED HIGHBAY



### Description

The [LITEBAY] GEN 2 LED Highbay offers three selectable wattage levels and optional plug and play sensor in an upgraded housing, providing flexibility for your individual needs. Its features include an efficacy upgrade to 170lm/W, IP65 rating, and a five-year warranty - making it the ideal choice for many commercial and industrial applications.

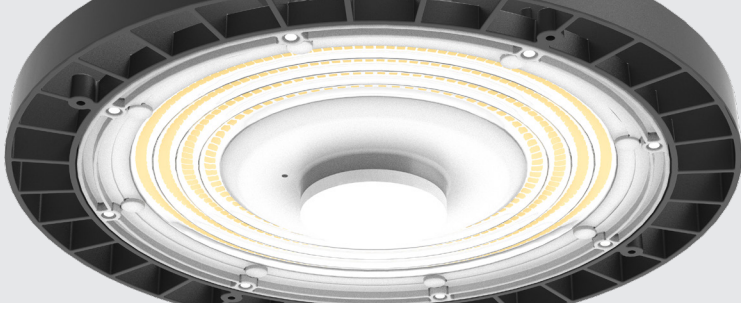


### Key Features

- Wattage selectable
- High efficacy up to 170lm/W
- 0-10V dimmable
- 5 year warranty
- Optional sensor available

### Optional Control Module

Specially designed plug and play modules for simple change between standard and sensor versions

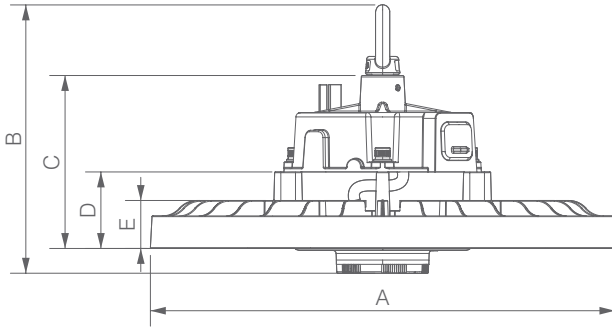


**Technical Specifications**

<b>Rated Life</b>	≥50,000 hours
<b>Body</b>	Aluminium
<b>Installation</b>	Chain mounted
<b>Beam Angle</b>	120° (90°/60° special order)
<b>Power Factor</b>	>0.9
<b>CRI</b>	>80

<b>Operating Temperature</b>	-40°C to +50°C
<b>Input Voltage</b>	90-305V~ 50/60Hz
<b>IP Rating</b>	IP65
<b>IK Rating</b>	IK08
<b>Connection</b>	Flex and Plug (1.5m)

**Dimensional Drawing**



Model	A mm	B mm	C mm	D mm	E mm	Weight kg
HL-200D120-G2	ø300	174	112	50	31	2.35

**Product Data**

Part Number	Power	Lumen Output	CCT
HL-200D120-G2	100W/150W/200W	17,500lm/25,800lm/34,000lm	5000K
HL-200D90-G2*	100W/150W/200W	17,500lm/25,800lm/34,000lm	5000K
HL-200D60-G2*	100W/150W/200W	17,500lm/25,800lm/34,000lm	5000K

\* Special order. minimum order quantities apply

**Max. Loads per Circuit Breaker**

Circuit Breaker Type	No. of Units
16A Type B	4
20A Type B	5
16A Type C	7
20A Type C	8

OPTIONAL ACCESSORIES

<b>Sensor Module</b>	<b>HS-SEN-LCD</b>
<b>HF System</b>	5.8GHz CW Radar
<b>Detection Range</b>	Max. Ø12m
<b>Daylight Sensor</b>	2 - 400lux / Disable
<b>Standby Mode</b>	0s - 1hr / 10 - 50% Dimming

Sensor settings customisable via optional remote control HS-REM-LCD-G2

**Remote Control**  
HS-REM-LCD-G2

