



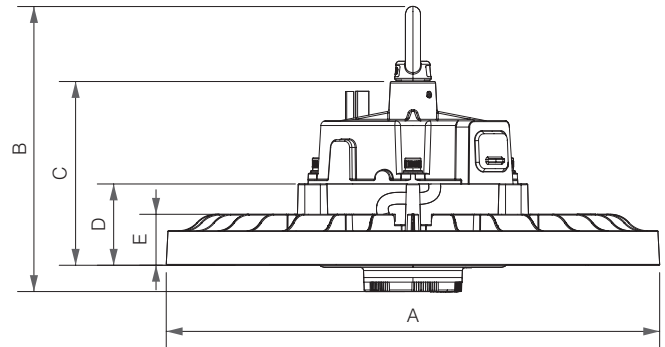
LITEBAY GEN2
LEARN MORE

Please ensure that the luminaire is installed in accordance with the below instructions. **Teknik Lighting Solutions Pty Ltd** assumes no responsibility for inappropriate use or installation of the product, including any associated damage caused.

- Electrical Safety:** Not a DIY product. Ensure the fitting is installed by a qualified electrician in compliance with relevant Australian Standards (AS3000) and local regulations (where applicable). Always turn off the power supply before installation, maintenance, or cleaning.
- Compatibility:** Verify that the fitting is compatible with the existing power supply, mounting structure and dimmer systems, if applicable. Using incompatible equipment may result in damage or reduced performance.
- Damage Check:** Inspect for damage before installation. Do not use fittings with visible damage to wires, housing, or components.
- Avoid Modifications:** This product is intended for use in accordance with its specifications and installation guidelines. Any use outside these parameters is at the user's risk. Do not alter or tamper with the fitting. Unauthorised modifications can compromise safety and void the warranty.
- Switch Cycles:** Good design practice does not encourage 24/7 continuous operation of lighting products without a routine switching or regulatory test cycle. For extended use, limit operation to 12 hours per day for industrial/commercial applications and 6 hours per day for residential applications.
- Disposal:** Dispose of fittings responsibly in accordance with local recycling and disposal regulations. LEDs contain electronic components that may require special handling.
- Liability Limitation:** TEKNIK shall not be held liable for incidental, indirect, or consequential damages resulting from the use or inability to use this product.
- Intellectual Property:** This product utilises intellectual property in the form of registered designs, trademarks, and/or patents. Such intellectual property remains the property of Teknik Lighting Solutions Pty Ltd in all cases.

DIMENSIONAL DRAWING

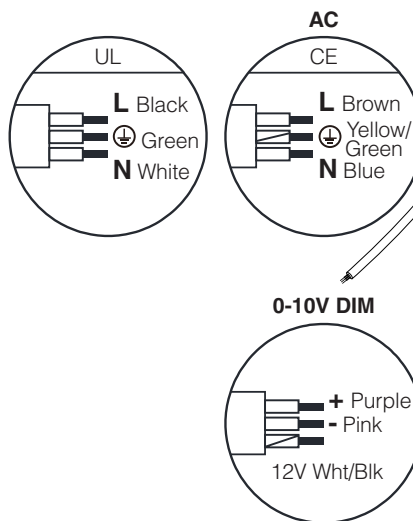
	A mm	B mm	C mm	D mm	E mm	Weight kg
HL-200D120-G2	ø300	174	112	50	31	2.35



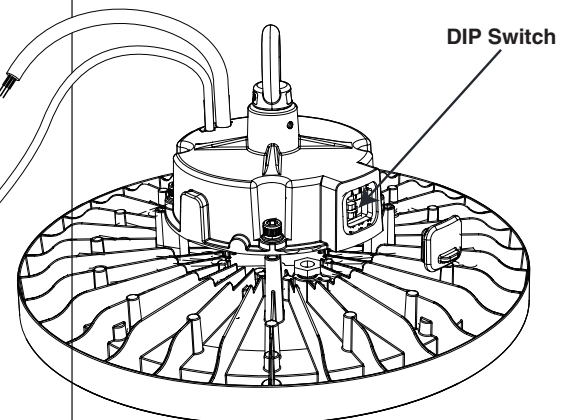
MAXIMUM LOADS PER CIRCUIT BREAKER

Circuit Breaker Type	Maximum Number of Units
Type B 16A	4
Type B 20A	5
Type C 16A	7
Type C 20A	8

WIRING DIAGRAM



WATTAGE SELECTION



INSTALLATION: HOOK MOUNT

Note: Supplied safety lanyard should be used for all installation options.

