

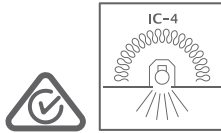
# [LUX]

LED DOWNLIGHT

USER MANUAL

**IP44**  
FRONT  
FACE

**IP20**  
DRIVER



## INTRODUCTION

Thank you for selecting the [LUX] LED Downlight. Please ensure that the luminaire is installed in accordance with the below instructions. **Teknik Lighting Solutions Pty Ltd** assumes no responsibility for inappropriate use or installation of the product, including any associated damage caused.

Features:

- > True 3-year warranty
- > Colour selectable for versatile installation
- > High quality PBT housing and PC diffuser with even light output
- > Excellent dimming function
- > DIP switch for selectable CCT
- > IC-4
- > IP44 from front face
- > Anti-glare design UGR<19

## DISCLAIMERS

1. This product must be installed and used as per these instructions.
2. This product contains no serviceable parts and no attempt should be made to repair this product. If the product is faulty it should be discarded.
3. This product is not suitable for installation in hazardous and/or corrosive areas.
4. Electrical installations periodically receive transient over voltages. This product has been designed to minimise the effect of such voltages on connected equipment. It may not give full protection for extreme over-voltage transients such as those resulting from a close lightning strike.
5. This product utilises intellectual property in the form of registered designs, trademarks, and/or patents. Such intellectual property remains the property of Teknik Lighting Solutions Pty Ltd in all cases.

## PRECAUTION

1. Read the entire manual carefully prior to installation and operation.
2. The warranty period is listed on the product as well as on the packaging. Teknik will repair or replace the product if it becomes defective under normal use due to a manufacturing defect within the prescribed period.
3. Declared lumen output is based upon measurements obtained during operation on the appointed LED electronic driver under standardised laboratory conditions.
4. Installation must be performed by a licenced and qualified electrician, in accordance with these instructions and relevant Australian Standards.
5. Instant restart is allowed.
6. Do not change or tamper with any internal electric circuits, add any wires, connectors or cables for any reason.
7. Please do not insert any physical objects of any nature into the fitting as this may cause electric shock, malfunction or damage to the products.
8. Before replacement of the fitting turn the power off and allow to cool down.
9. In case of weight discrepancy when replacing old lamps, please ensure that the mounted structure is rated to withstand the weight of the new lamp and installation materials.
10. For further information, please contact Teknik ([www.tekniklighting.com.au](http://www.tekniklighting.com.au)) or your local distributor.

**Teknik Lighting Solutions Pty Ltd**

ABN: 44 608 397 913

5/26-34 Dunning Ave,  
Rosebery NSW 2018

Ph: 1300 313 780

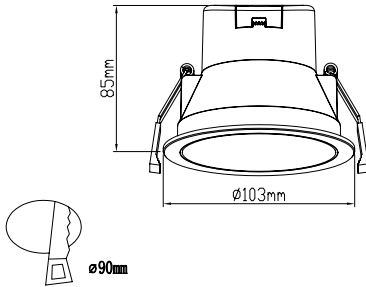
[info@tekniklighting.com.au](mailto:info@tekniklighting.com.au)

[www.tekniklighting.com.au](http://www.tekniklighting.com.au)

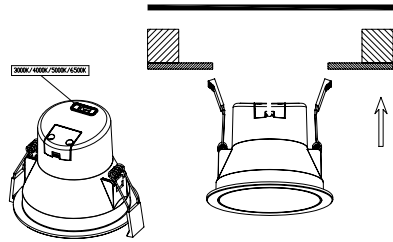
## INSTALLATION

Ensure mains supply is switched off before commencing work

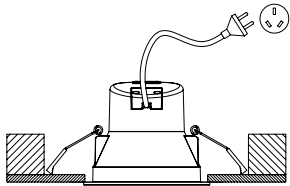
1. Please refer to dimensions for appropriate cutout size



2. Select desired colour temperature using the colour selection switch.  
Fold spring clips upwards and insert into ceiling cut-out

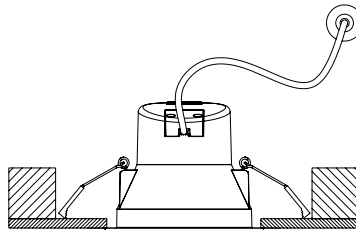


3. The spring clips will return and lock

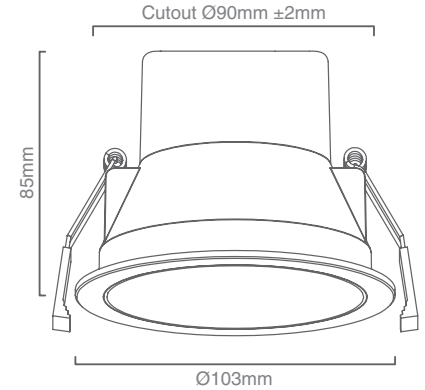


Luminaire is IC-4 compliant and can be covered and abutted by insulation

4. Connect luminaire to power



## DIMENSIONAL DRAWING



## SPECIFICATIONS

Model	DL-35-8S60-B	DL-35-8S60-W
Input Voltage	220-240VAC ~ 50/60Hz	
Power	8W	
Lumen Output	600lm-550lm	750lm-670lm
Colour Temp.	3000K/4000K/5000K/6500K	
CRI	≥Ra80	
Beam Angle	60°	
Connection	Flex & Plug (0.6m)	
Lifetime	≥25,000 hours	
Usage	Indoor Usage Only	