

# TEKNIK [MINETEK] LIGHTING SOLUTIONS GEN 2 CONVEYOR AREA LIGHT

5 YEAR PRODUCT WARRANTY  
3 YEAR BATTERY WARRANTY

3G VIBRATION CERTIFIED

E EMERGENCY FUNCTION

IP 66 INGRESS PROTECTION

IK 09 IMPACT PROTECTION



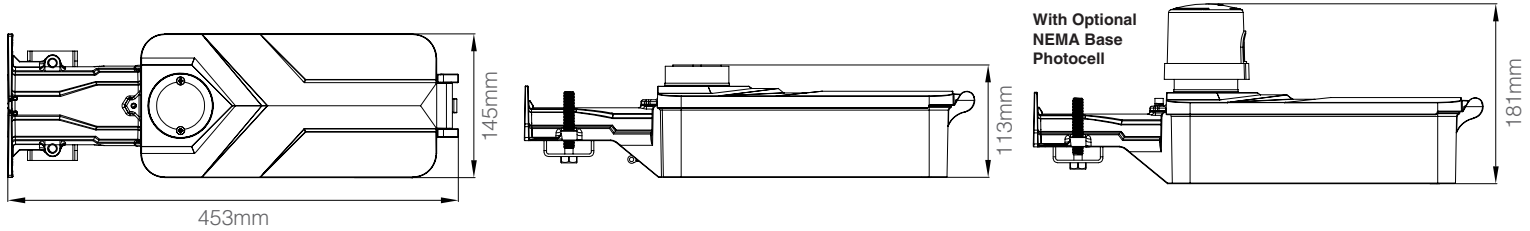
MINETEK GEN 2 MORE INFO

Please ensure that the luminaire is installed in accordance with the below instructions. **Teknik Lighting Solutions Pty Ltd** assumes no responsibility for inappropriate use or installation of the product, including any associated damage caused.

- Electrical Safety:** Not a DIY product. Ensure the fitting is installed by a qualified electrician in compliance with relevant Australian Standards (AS3000) and local regulations (where applicable). Always turn off the power supply before installation, maintenance, or cleaning.
- Compatibility:** Verify that the fitting is compatible with the existing power supply, mounting structure and dimmer systems, if applicable. Using incompatible equipment may result in damage or reduced performance.
- Damage Check:** Inspect for damage before installation. Do not use fittings with visible damage to wires, housing, or components.
- Avoid Modifications:** This product is intended for use in accordance with its specifications and installation guidelines. Any use outside these parameters is at the user's risk. Do not alter or tamper with the fitting. Unauthorised modifications can compromise safety and void the warranty.
- Switch Cycles:** Good design practice does not encourage 24/7 continuous operation of lighting products without a routine switching or regulatory test cycle. For extended use, limit operation to 12 hours per day for industrial/commercial applications and 6 hours per day for residential applications.
- Disposal:** Dispose of fittings responsibly in accordance with local recycling and disposal regulations. LEDs contain electronic components that may require special handling.
- Liability Limitation:** TEKNIK shall not be held liable for incidental, indirect, or consequential damages resulting from the use or inability to use this product.
- Intellectual Property:** This product utilises intellectual property in the form of registered designs, trademarks, and/or patents. Such intellectual property remains the property of Teknik Lighting Solutions Pty Ltd in all cases.

## DIMENSIONAL DRAWING

**Note:** Shorting Cap (supplied) or Photocell (optional) must be fitted for operation.



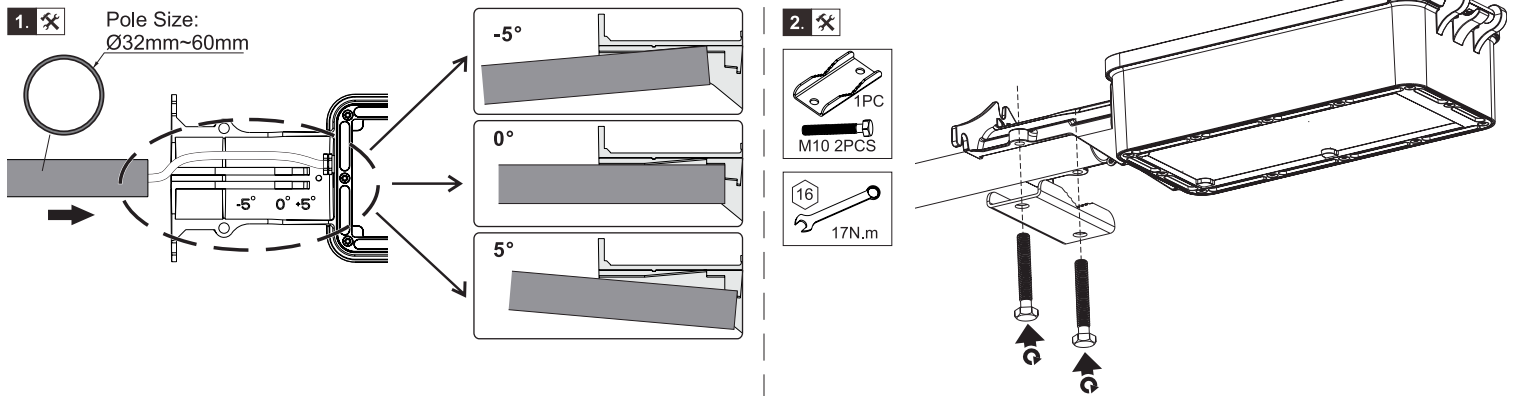
## WIRING

AC Wire (Regular)			AC Wire (Emergency)		
L	brown	black	L1 (Switched)	black	red
N	blue	white	L2 (AC)	brown	black
⊕	yellow/green	green	N (AC)	blue	white
			⊕ GND	yellow/green	green

## MAXIMUM LOADS PER CIRCUIT BREAKER

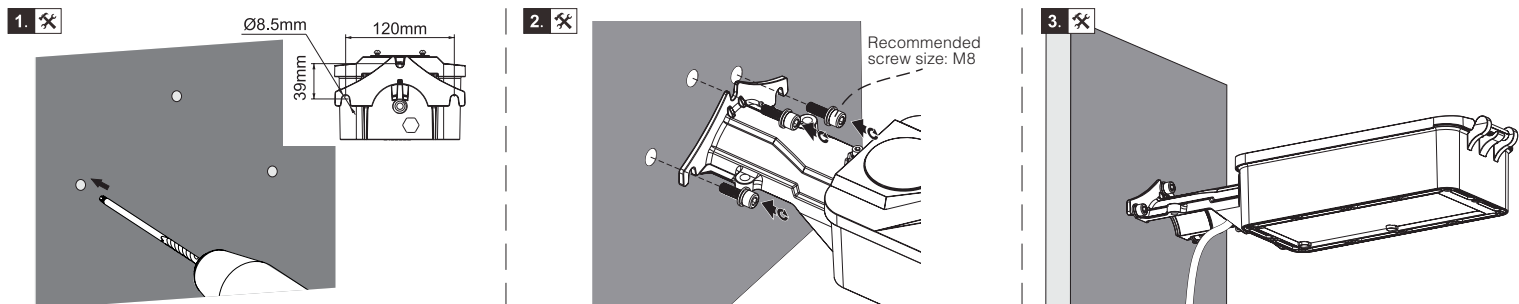
Inrush Current Ipeak / T (@50% of Ipeak)	MCB						
	Type	@240 VAC			@120 VAC		
		10A	16A	20A	10A	16A	20A
74.4A / 292μs	B	12	19	24	5	8	10
	C	20	32	40	8	14	17
	D	31	49	62	16	26	33

## INSTALLATION: POLE MOUNT



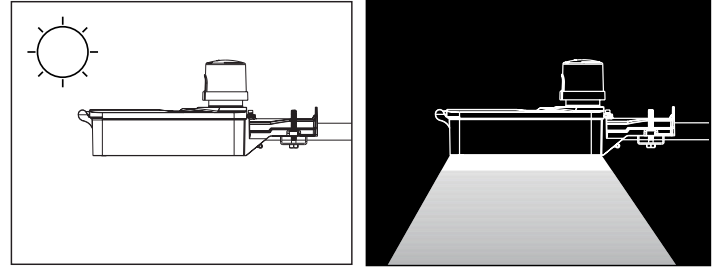
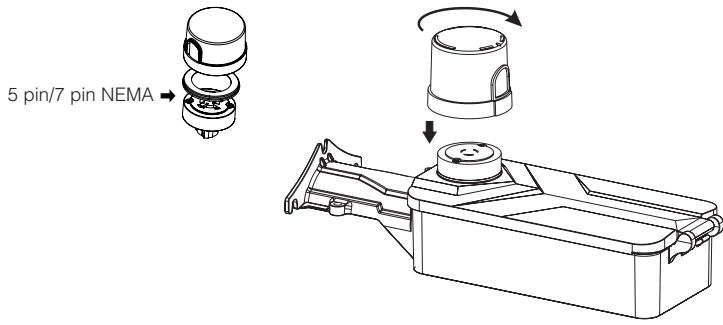
## INSTALLATION: WALL MOUNT

**Note:** Wall bracket is not included and must be purchased separately.

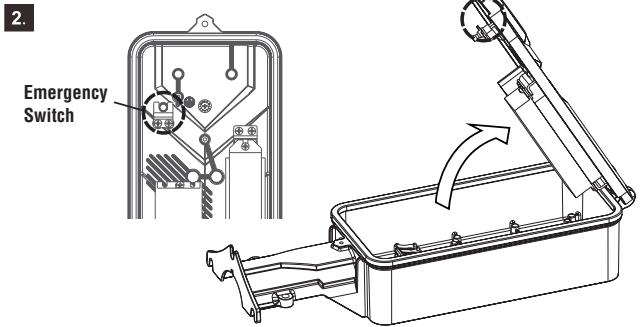
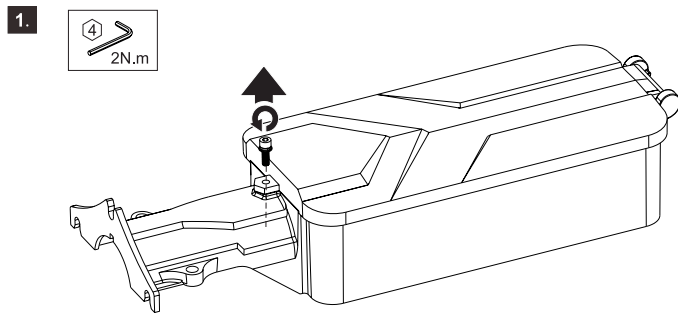









### PHOTOCELL (OPTIONAL)

**Note:** If a 5 pin/7 pin NEMA is applied, an additional waterproof gasket between the socket and the photocell controller will be required.



### EMERGENCY FUNCTION (OPTIONAL)



	Colour	LED Indicator	Mode	Note
	Green	Slowly flashing green (on 3 sec, off 1 sec)	Charging	Alternating mode
		Constant green	Fully charged	Alternating mode
		Fast blinking green (on 0.1 sec, off 0.1 sec)	Functional testing in progress	Open/short LED fault (emergency Mode)
		Slowly flashing green (on 1 sec, off 1 sec)	Duration testing in progress	
	Red	Constant red	Load failure	
		Slowly flashing red (on 1 sec, off 1 sec)	Battery failure	Battery failed duration test or function test/no battery
		Green and red off	Direct current	Battery operation (emergency mode)

### EMERGENCY WIRING

