

[OVERWATCH]

HIGH POWERED LED FLOODLIGHT

USER MANUAL



INTRODUCTION

Thank you for selecting the [OVERWATCH] LED Floodlight. Please ensure that the luminaire is installed in accordance with the below instructions. **Teknik Lighting Solutions Pty Ltd** assumes no responsibility for inappropriate use or installation of the product, including any associated damage caused.

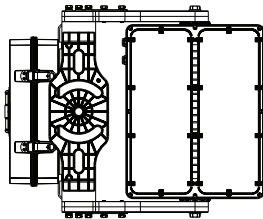
PRECAUTION

1. Read the entire manual carefully before installation and operation.
2. The Warranty Period is five (5) years. Teknik will repair or replace the product if it fails or becomes defective during normal use within the prescribed warranty period.
3. Designed for industrial and commercial use.
4. The lifetime of the product is affected when it is used in a fully enclosed fixture.
5. Installation must be performed by a licenced and qualified electrician.
6. Use solid copper wire of 18 AWG (minimum) for the input terminal extension, and 20 AWG (minimum) for the output terminal extension.
7. Do not change or tamper with any internal electric circuits or wiring, connectors or cables for any reasons.
8. Do not insert foreign objects into the product. This may result in electric shock, malfunction or damage to the products.
9. When in operation the luminaire temperature may reach up to 40°C.
10. Teknik accepts no liability for any injuries or damages resulting from the incorrect use of the lamp or use of the lamp in combination with inappropriate equipment.
11. Luminaire is non-dimmable.
12. For further information, please contact Teknik Lighting Solutions or your local distributor.
13. This product has no user serviceable parts. If any part is damaged, disconnect from mains and discontinue use.
14. Warning: Luminaire marked as NON-IC according to AS/NZS60598-2.2. Not suitable for use on residential properties. **DO NOT COVER OR ABUT.** Any insulation material must be positioned at a minimum distance of 100 mm from the fitting.
15. Do not cover the light.
16. The warranty shall exclude modifications to the product, incorrect installation and use outside of the intended scope.

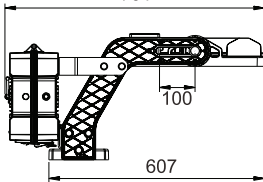
SPECIFICATIONS

Input Voltage	100-240 VAC ~ 50/60Hz	277-480 VAC ~ 50/60Hz
Power	800W	1200W
Lumen Output	128,000lm	192,000lm
Lumen Output <i>Narrow Beam</i>	105,000lm	157,000lm
Colour Temp	5000K	
CRI	>70	
Beam Angles	12°, 30°, 45°, 60°, T1, T2, T4	
Lifetime	≥53,000 hours	
IP Rating	IP66	

DIMENSIONAL DRAWING

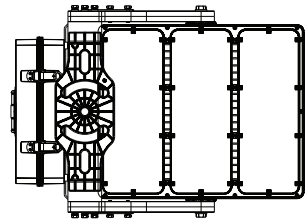


731

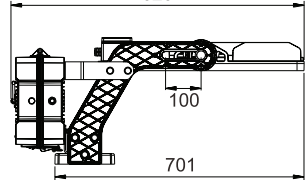


607

800W

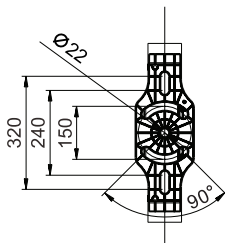


825



701

1200W



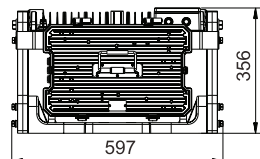
Ø22

320

240

150

90°

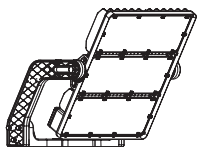


356

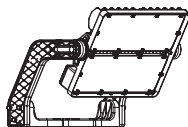
597

800W/1200W

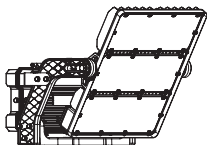
INSTALLATION



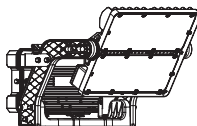
1200W
(Without driver box)



800W
(Without driver box)



1200W
(With driver box)



800W
(With driver box)



TABLE 1

Lamp Type	Lens Type	CCT	CRI	Flux (lm±10%)	W ±5%	Input Voltage	Outdoor Ta°C	Indoor Ta°C	Outdoor Ta°C	With Driver Box	Without Driver Box
1200W	F19801/F19803/F19808	5000K	70	168000	1200	100-480Vac	50°C	40°C	-40°C	33.2kg	20.7kg
1200W	F19802/F19804/F19805/ F19806/F19807	5000K	70	180000	1200	100-480Vac	55°C	45°C	-40°C	33.2kg	20.7kg
1200W	F19801/F19803/F19808	5000K	80	156000	1200	100-480Vac	50°C	40°C	-40°C	33.2kg	20.7kg
1200W	F19802/F19804/F19805/ F19806/F19807	5000K	80	168000	1200	100-480Vac	55°C	45°C	-40°C	33.2kg	20.7kg
1200W	F19801/F19803/F19808	5000K	90	120000	1200	100-480Vac	50°C	40°C	-40°C	33.2kg	20.7kg
1200W	F19802/F19804/F19805/ F19806/F19807	5000K	90	132000	1200	100-480Vac	55°C	45°C	-40°C	33.2kg	20.7kg
800W	F19801/F19803/F19808	5000K	70	112000	800	100-480Vac	50°C	40°C	-40°C	29.8kg	17.3kg
800W	F19802/F19804/F19805/ F19806/F19807	5000K	70	120000	800	100-480Vac	55°C	45°C	-40°C	29.8kg	17.3kg
800W	F19801/F19803/F19808	5000K	80	104000	800	100-480Vac	50°C	40°C	-40°C	29.8kg	17.3kg
800W	F19802/F19804/F19805/ F19806/F19807	5000K	80	112000	800	100-480Vac	55°C	45°C	-40°C	29.8kg	17.3kg
800W	F19801/F19803/F19808	5000K	90	80000	800	100-480Vac	50°C	40°C	-40°C	29.8kg	17.3kg
800W	F19802/F19804/F19805/ F19806/F19807	5000K	90	88000	800	100-480Vac	55°C	45°C	-40°C	29.8kg	17.3kg

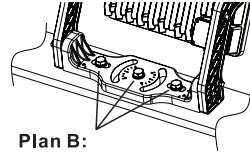
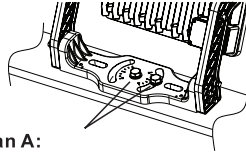
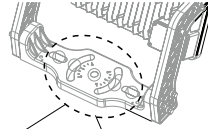
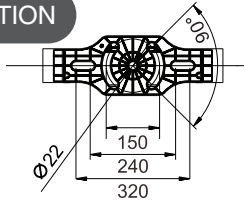
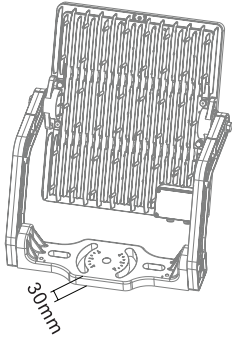
TABLE 2

Ta(°C) Life	25°C	30°C	45°C
L70	178000	168000	151000
L80	111000	105000	95000
L90	54000	52000	50000

Unit: hrs

Please read the relevant data carefully, which may be helpful for your installation

BRACKET INSTALLATION

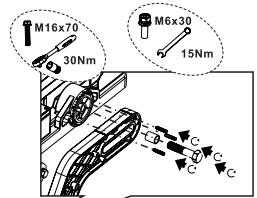
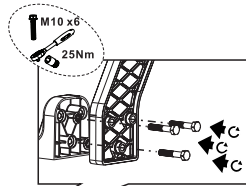
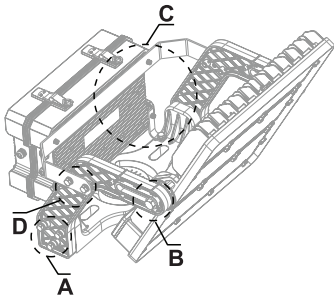


Plan A:
2xM20 screw with flat washer
and spring washer

Plan B:
3xM20 screw with flat washer
and spring washer

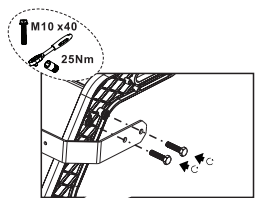
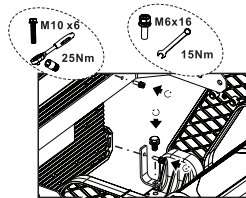
*Plan B is recommended when the installation height of the lamp exceeds 3 meters.

DRIVER BOX INSTALLATION



A.

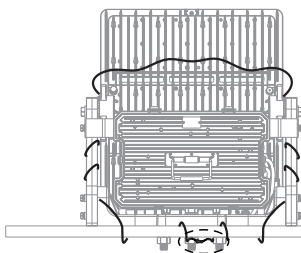
B.



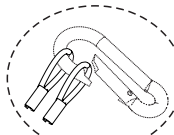
C.

D.

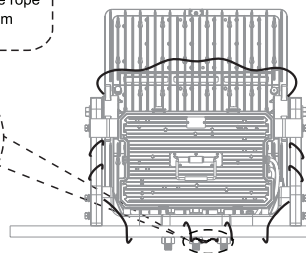
SAFETY ROPE INSTALLATION



Safety steel wire rope
Size: $\phi 3\text{mm} \times 3\text{m}$



Rigging keychain
Size: $\phi 8\text{mm} \times 80\text{mm}$



ROTATABLE ANGLE

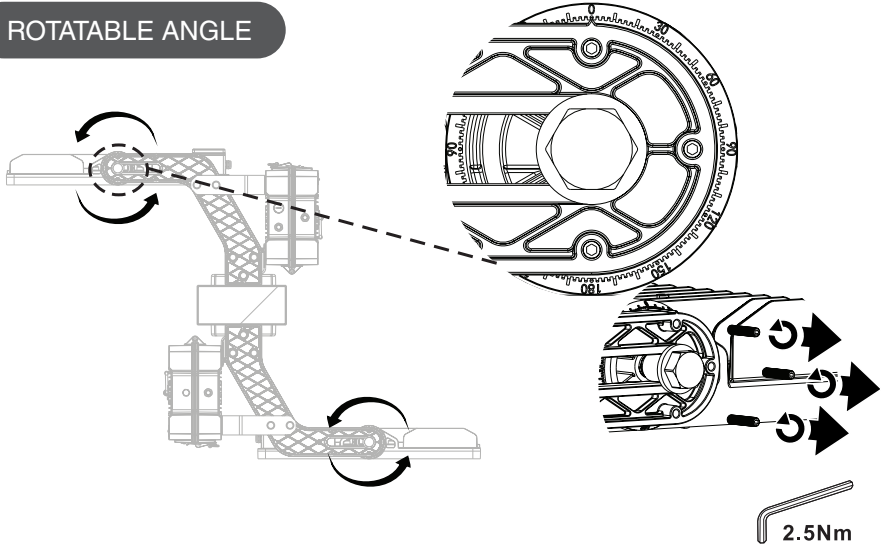
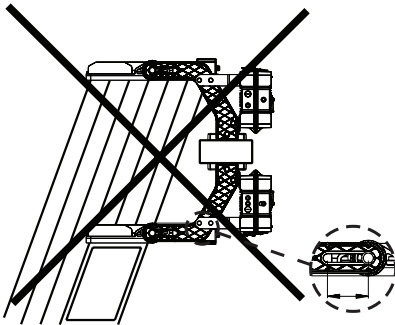


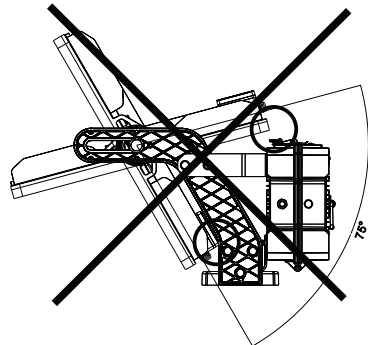
TABLE 3

	Lamp body angle	0°	15°	30°	40°	50°	65°	90°
EPA Unit: M ² /ft ²	800W without driver box	0.091/0.98	0.141/1.52	0.197/2.12	0.230/2.47	0.256/2.75	0.285/3.06	0.298/3.2
	800W with driver box	0.2/2.15	0.224/2.41	0.258/2.77	0.279/3	0.295/3.17	0.315/3.39	0.328/3.53
	1200W without driver box	0.091/0.98	0.165/1.77	0.244/2.62	0.261/2.81	0.329/3.54	0.371/3.99	0.392/4.22
	1200W with driver box	0.2/2.15	0.237/2.55	0.283/3.04	0.290/3.12	0.334/3.59	0.371/3.99	0.392/4.22

POSITIONS NOT ALLOWED



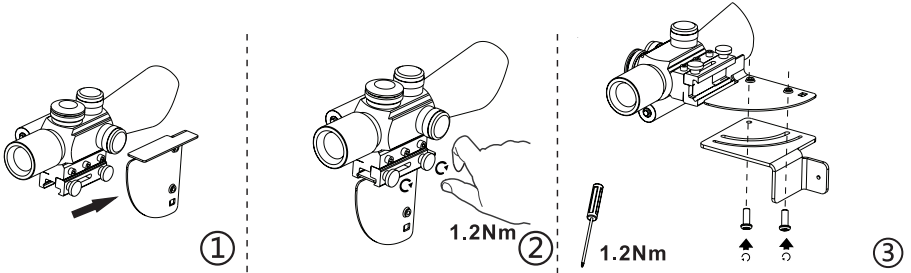
*The lower luminaire should be properly installed to avoid blocking the light from the upper luminaire.



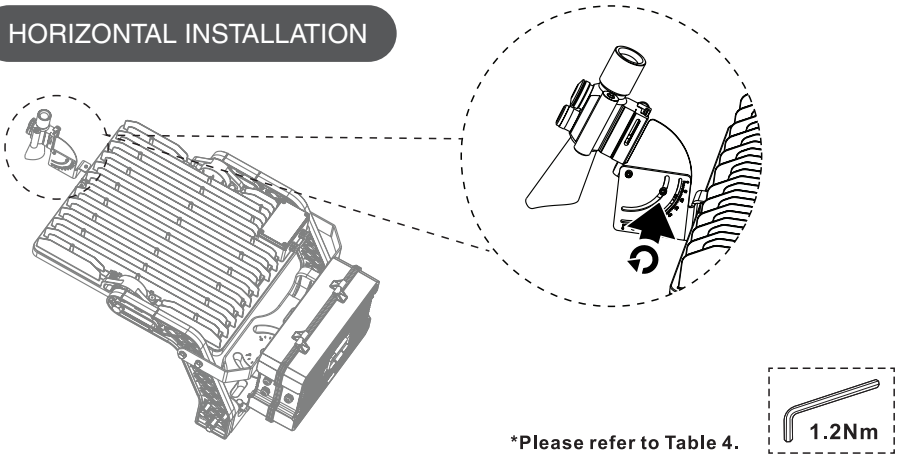
*Please swivel the module appropriately, without touching the bracket or driver box.

AIMING DEVICE INSTALLATION

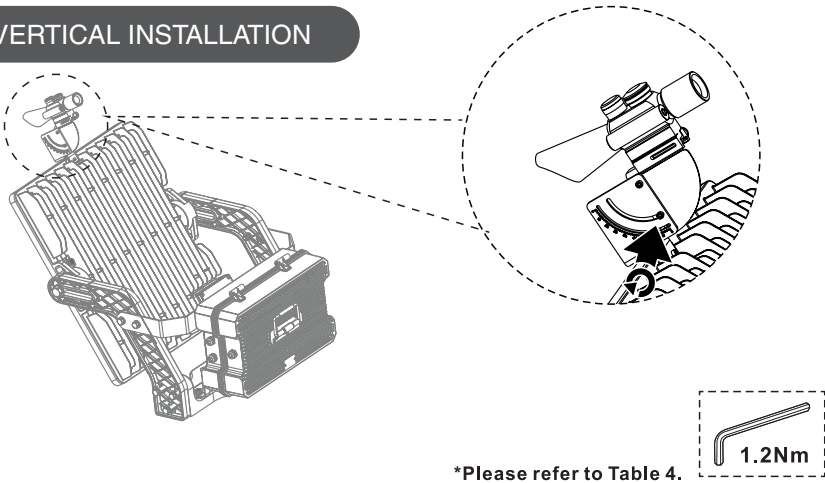
(Laser sight and bracket need to be purchased separately)

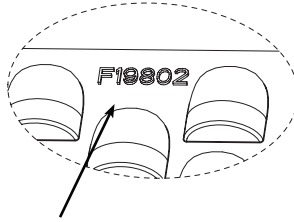


HORIZONTAL INSTALLATION



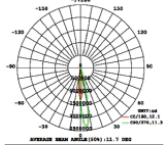
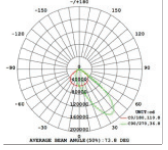
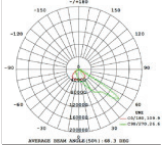
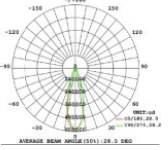



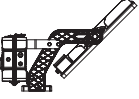
VERTICAL INSTALLATION

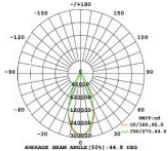
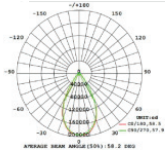
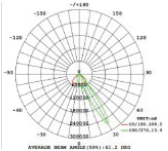
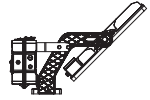
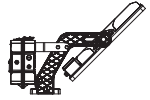





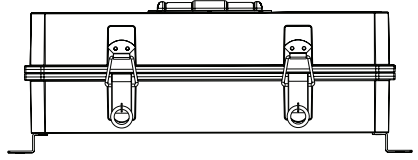
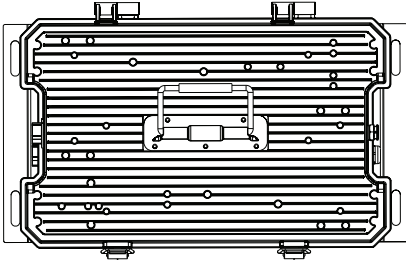
To keep the aiming direction of the aiming device same with luminaire lighting distribution, the aiming device shall be adjusted preliminarily to certain angle, please refer to below table for different beam angles.

TABLE 4

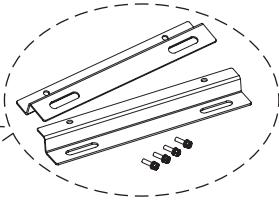
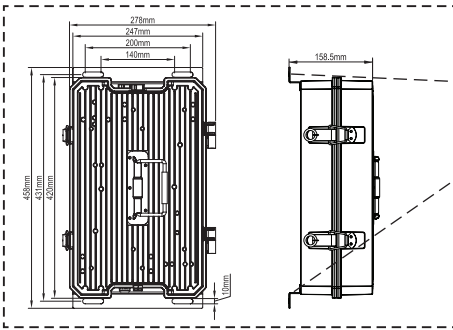
Lens Type	F19801	F19802	F19803	F19804
Aiming device mounting angle	5°	35°	53°	0°
photometric data				
Luminaire mounting type	 Horizontal installation	 Horizontal installation	 Horizontal installation	 Vertical installation

Lens Type	F19805	F19806	F19808
Aiming device mounting angle	0°	0°	30°
photometric data			
Luminaire mounting type	 Vertical installation	 Vertical installation	 Horizontal installation

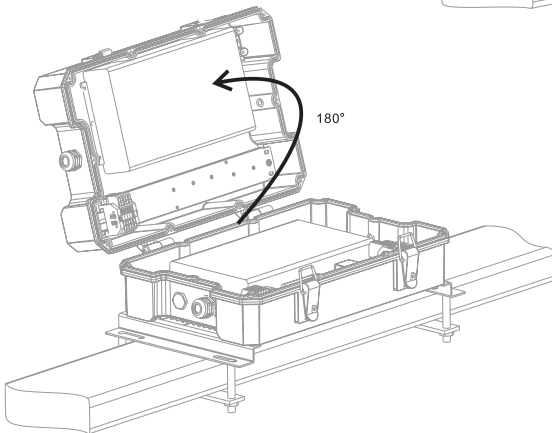
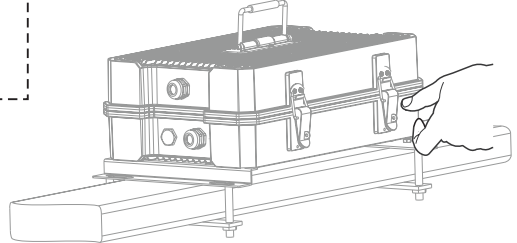
DRIVER BOX



DRIVER BOX INSTALLATION



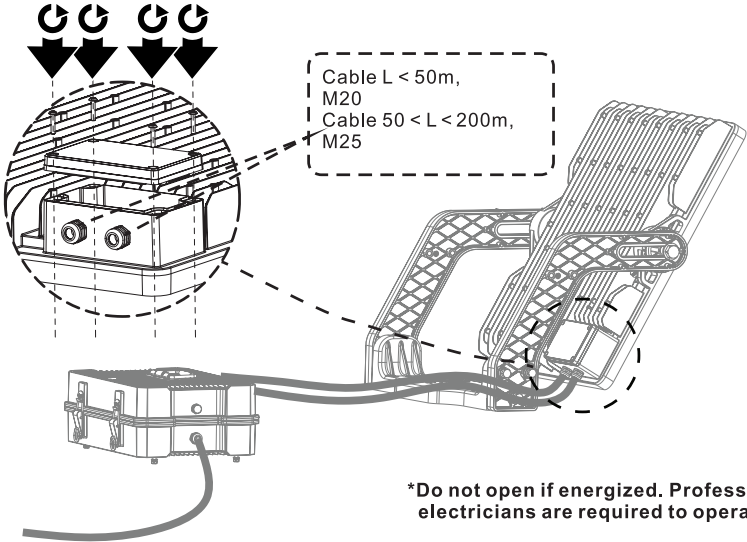
*Optional accessories



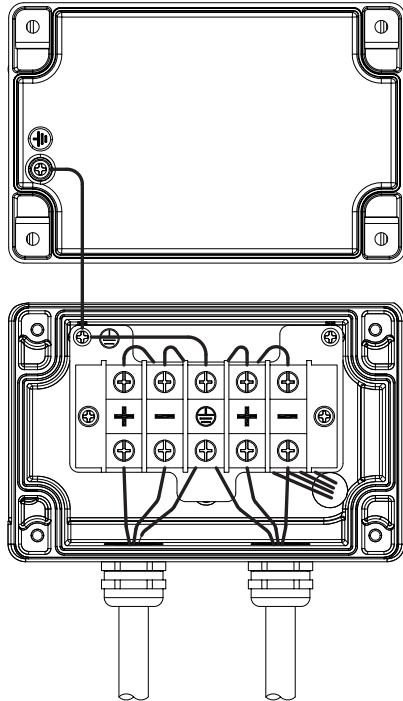
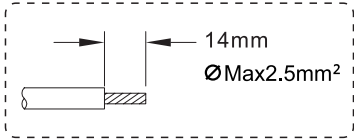
***Do not open if energized. Professional electricians are required to operate.**



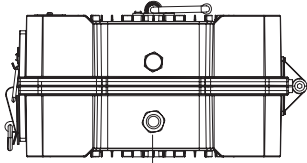
1.2Nm



DRIVER BOX WIRING

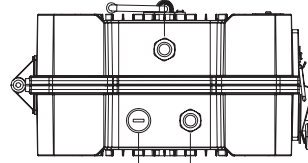


NON-DIMMABLE WIRING



INPUT

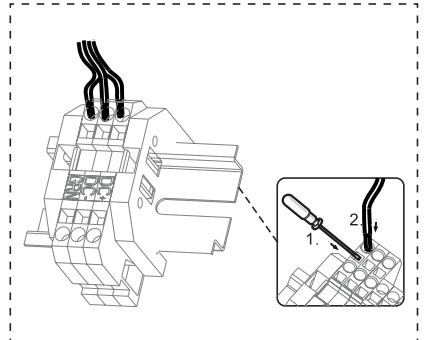
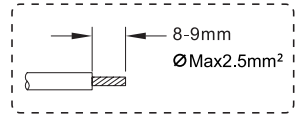
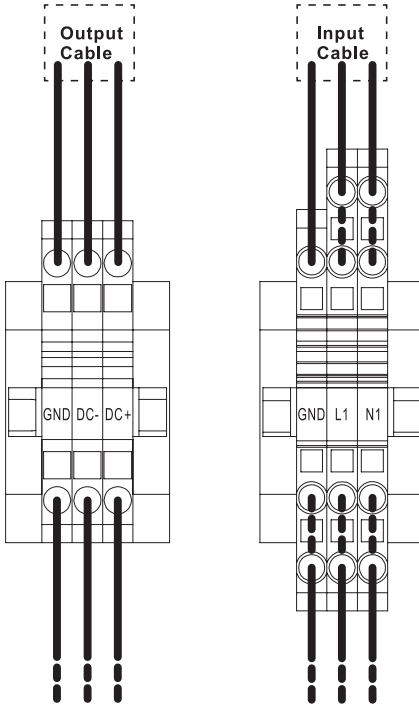
M20 Cable \varnothing 7-13mm
M25 Cable \varnothing 10-16mm



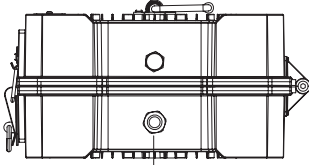
PLUG

M20 Cable \varnothing 7-13mm
M25 Cable \varnothing 10-16mm
OUTPUT

M20 Cable \varnothing 7-13mm
M25 Cable \varnothing 10-16mm

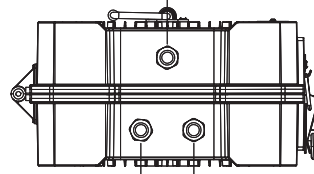


DALI WIRING



INPUT

M20 Cable Ø7-13mm
M25 Cable Ø10-16mm

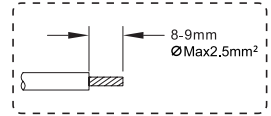
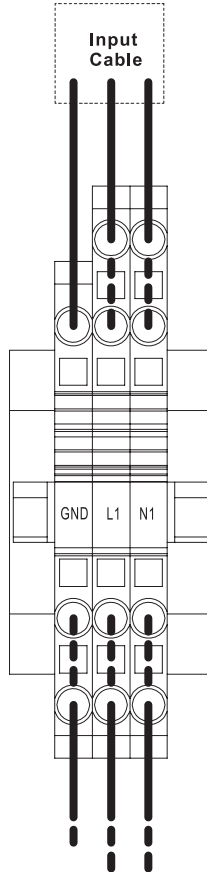
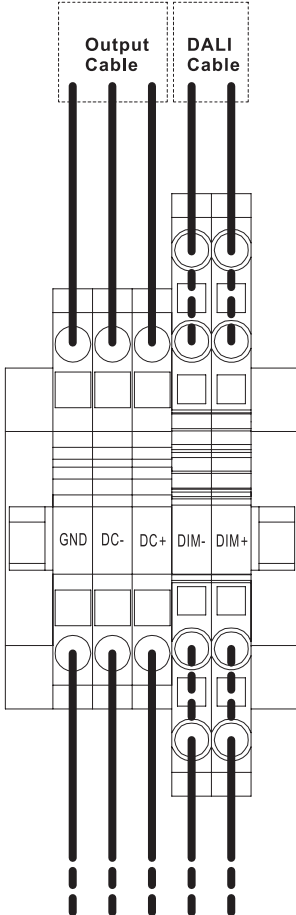


DALI

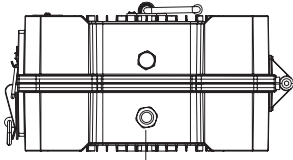
OUTPUT

M20 Cable Ø7-13mm

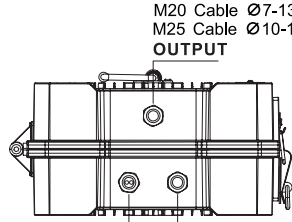
M20 Cable Ø7-13mm
M25 Cable Ø10-16mm
OUTPUT



DMX WIRING



INPUT
M20 Cable Ø7-13mm
M25 Cable Ø10-16mm

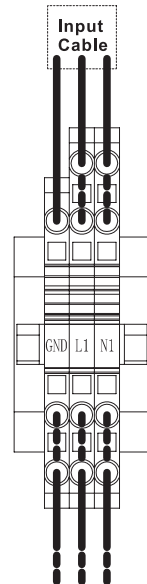
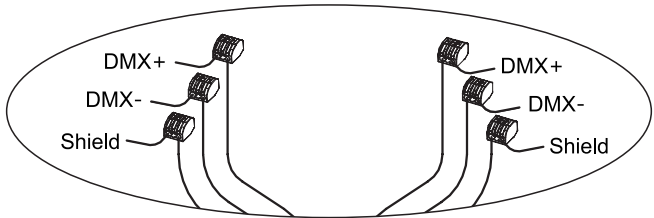
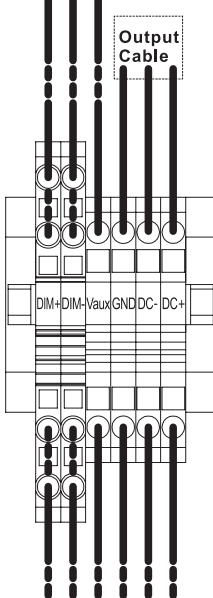
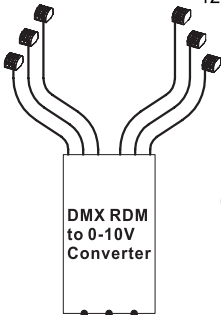
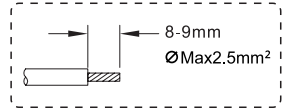


M20 Cable Ø7-13mm
M25 Cable Ø10-16mm
OUTPUT
DMX
M20 Cable 2XØ3-5mm
OUTPUT
M20 Cable Ø7-13mm
M25 Cable Ø10-16mm

DMX Input

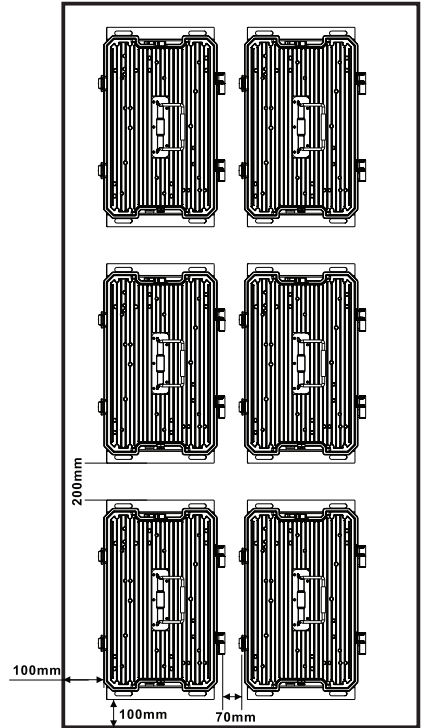
DMX Output

Connect next lamp or connect 120 ohm termina



DISTANCES

When the driver boxes are installed in a confined space, the minimum installation distance must be ensured. And it is necessary to ensure that the temperature 5cm away from the driver box is not higher than the T_a temperature of the lamp.



* Maximum number of luminaires to be connected to standard circuit breakers (fuse)

TABLE 5

Lamp Type	MCB Type	Input Voltage	Quantity
800W	MCB B Type 16A	100-240V	1
	MCB B Type 32A	100-240V	2
	MCB C Type 16A	100-240V	2
	MCB C Type 32A	100-240V	4

Lamp Type	MCB Type	Input Voltage	Quantity
1200W	MCB B Type 16A	100-240V	1
	MCB B Type 32A	100-240V	2
	MCB C Type 16A	100-240V	2
	MCB C Type 32A	100-240V	4

DISCLAIMERS

1. This product must be installed and used as per these instructions.
2. This product contains no serviceable parts and no attempt should be made to repair this product. If the product is faulty it should be discarded.
3. This product is not suitable for installation in hazardous and/or corrosive areas.
4. Electrical installations periodically receive transient over voltages. This product has been designed to minimise the effect of such voltages on connected equipment. It may not give full protection for extreme over-voltage transients such as those resulting from a close lightning strike.
5. This product utilises intellectual property in the form of registered designs, trademarks, and/or patents. Such intellectual property remains the property of Teknik Lighting Solutions Pty Ltd in all cases.