

**TEKNIK**  
LIGHTING SOLUTIONS

**3** YEAR  
PRODUCT  
WARRANTY

**W**  
WATTAGE  
SELECTABLE

**S:**  
COLOUR  
SELECTABLE

**E**  
EMERGENCY  
FUNCTION

# [PYTHON]

WEATHERPROOF LED BATTEN

**IP  
65**  
INGRESS  
PROTECTION

**IK  
08**  
IMPACT  
PROTECTION

USER MANUAL



## INTRODUCTION

Thank you for selecting the [PYTHON] LED Weatherproof Batten. Please ensure that the luminaire is installed in accordance with the below instructions. **Teknik Lighting Solutions Pty Ltd** assumes no responsibility for inappropriate use or installation of the product, including any associated damage caused.

Features:

- > 3 year professional warranty.
- > High efficiency up to 100lm/W.
- > Durable polycarbonate body and diffuser with stainless steel clips.
- > Emergency options available.

## PRECAUTION

1. Read the entire manual carefully prior to installation and operation.
2. The warranty period is listed on the product as well as on the packaging. Teknik will repair or replace the product if it becomes defective under normal use due to a manufacturing defect within the prescribed period.
3. Declared lumen output is based upon measurements obtained during operation on the appointed LED electronic driver under standardised laboratory conditions.
4. Installation must be performed by a licenced and qualified electrician, in accordance with these instructions and relevant Australian Standards.
5. Instant restart is allowed.
6. Do not change or tamper with any internal electric circuits, add any wires, connectors or cables for any reason.
7. Please do not insert any physical objects of any nature into the fitting as this may cause electric shock, malfunction or damage to the products.
8. Before replacement of the fitting turn the power off and allow to cool down.
9. In case of weight discrepancy when replacing old lamps, please ensure that the mounted structure is rated to withstand the weight of the new lamp and installation materials.
10. For further information, please contact Teknik ([www.tekniklighting.com.au](http://www.tekniklighting.com.au)) or your local distributor.

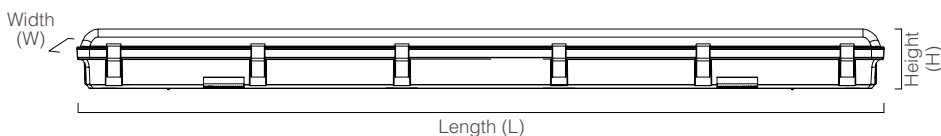
## DISCLAIMERS

1. This product must be installed and used as per these instructions.
2. This product contains no serviceable parts and no attempt should be made to repair this product. If the product is faulty it should be discarded.
3. This product is not suitable for installation in hazardous and/or corrosive areas.
4. Electrical installations periodically receive transient over voltages. This product has been designed to minimise the effect of such voltages on connected equipment. It may not give full protection for extreme over-voltage transients such as those resulting from a close lightning strike.
5. This product utilises intellectual property in the form of registered designs, trademarks, and/or patents. Such intellectual property remains the property of Teknik Lighting Solutions Pty Ltd in all cases.

## SPECIFICATIONS

Model	BP-2-18S120	BP-2-18S120-E	BP-4-28S120	BP-4-28S120-E
Input Voltage	220-240 VAC ~ 50/60Hz			
Power (Switchable)	9W/18W		14W/28W	
Lumen Output (Normal)	1400lm-2400lm		1960lm-3750lm	
Colour Temperature	3000K / 4000K / 5700K			
CRI	≥Ra80			
Beam Angle	120°			
Connection	Terminal Block			
Net Weight	0.95kg	1.15kg	1.64kg	1.84kg
Lifetime	≥50,000 hrs			
IP Rating	IP65			

## DIMENSIONAL DRAWING



Model	L	H	W
BP-2-18S120(-E)	640mm	100mm	85mm
BP-4-28S120(-E)	1240mm	100mm	85mm

## EMERGENCY TEST BUTTON INSTRUCTIONS

1. Remove the gear tray diffuser from the body.
2. Connect the battery to the emergency converter via plug.
3. To test the [PYTHON], press the red button to simulate AC mains failure. If the light is in maintained mode, it will result in a brighter luminaire. If the light is in non-maintained mode, it will switch on to 4W energy power mode.

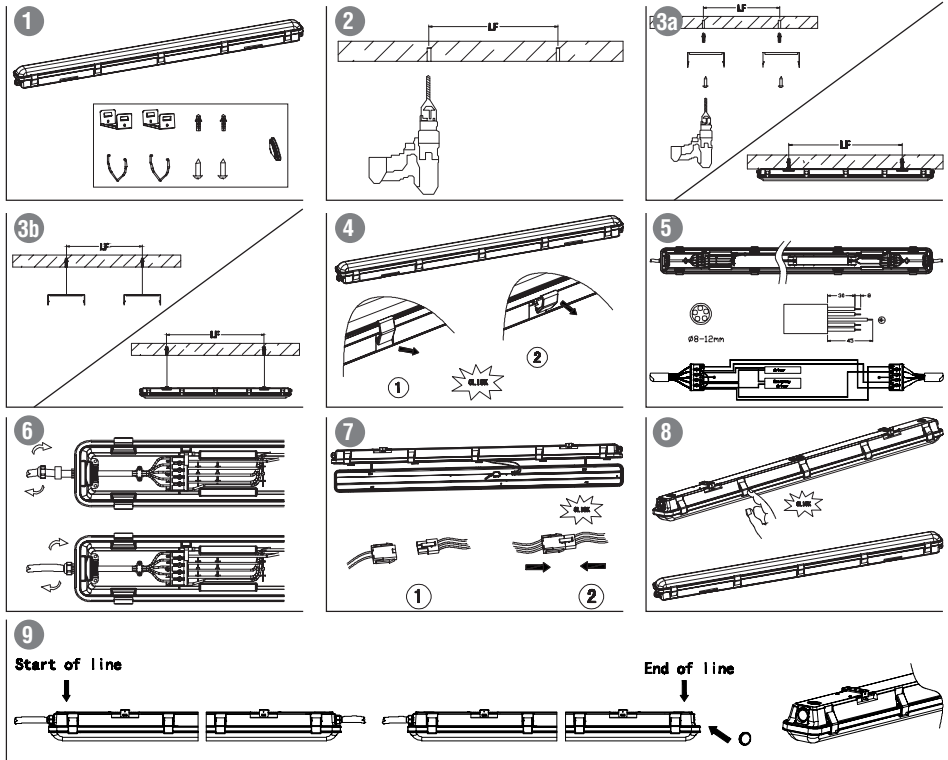
### NOTE:

If the green light is illuminated, the product is currently re-charging. If the green light is not illuminated, the product is fully charged.

## INSTALLATION

### WARNING:

1. Switch off before installation.
2. Switch on only after complete installation and examination of the circuit.
3. Installation and maintenance to be undertaken by professional electrician.



## WATTAGE & CCT SELECTION

1. Remove gear tray from housing.
2. Choose the desired wattage and colour temperature selection as per the below diagrams.
  - i. 4ft Model: 28W or 14W
  - ii. 2ft Model: 18W or 9W
  - iii. 3000K (WW) / 4000K (CW) / 5700K (DL)

Note: For emergency versions, colour temperature selection switch is located along the wiring harness.

**TEKNIK** LIGHTING SOLUTIONS **PD-40S-WS** LED DRIVER

Pri: AC220-240V 0.7A 50-60Hz  
 Sec: DC70-85V 490/245mA  $\pm 5\%$  40W  
 Power Factor:  $\geq 0.9$  Ta: 50 °C Tc: 80 °C

• tc

SEC  R   
 B   
 W

N  PRT  
 8.54mm  
 0.5-1.5mm<sup>2</sup>

WW CW DL  28W  14W

**TEKNIK** LIGHTING SOLUTIONS **PD-20S-WS** LED DRIVER

Pri: AC220-240V 0.35A 50-60Hz  
 Sec: DC70-85V 245/125mA  $\pm 5\%$  20W  
 Power Factor:  $\geq 0.9$  Ta: 50 °C Tc: 80 °C

• tc

SEC  R   
 B   
 W

N  PRT  
 8.54mm  
 0.5-1.5mm<sup>2</sup>

WW CW DL  18W  9W