

TEKNIK
LIGHTING SOLUTIONS

5
YEAR
PRODUCT
WARRANTY

W
WATTAGE
SELECTABLE

S
SENSE
TECHNOLOGY

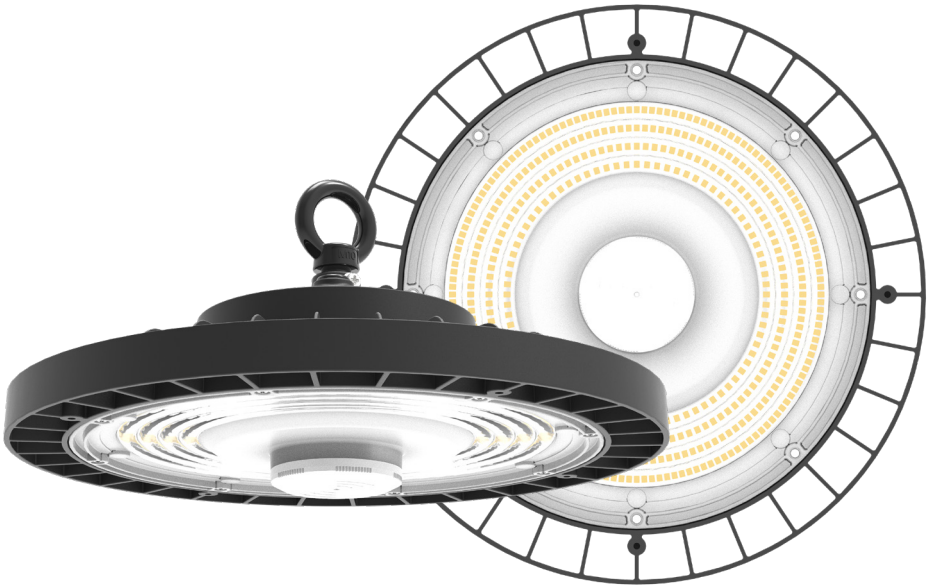
**IP
65**
INGRESS
PROTECTION

**IK
08**
IMPACT
PROTECTION

[SMARTBAY]

GEN 2 'ONE BOX' LED HIGHBAY

USER MANUAL



IPART
APPROVED

VEET
APPROVED

INTRODUCTION

Thank you for selecting the [SMARTBAY] Gen 2 'One Box' LED Highbay. Please ensure that the luminaire is installed in accordance with the below instructions. **Teknik Lighting Solutions Pty Ltd** assumes no responsibility for inappropriate use or installation of the product, including any associated damage caused.

- 5 year warranty
- 4 option wattage switchable functionality
- Unique heat sink design to reduce dust build up
- Smart hook system for easy and quick installation
- Integrated motion and daylight sensor for intelligent lighting control

PRECAUTION

1. Read the entire manual carefully prior to installation and operation.
2. The warranty period is listed on the product as well as on the packaging. Teknik will repair or replace the product if it becomes defective under normal use due to a manufacturing defect within the prescribed period.
3. Declared lumen output is based upon measurements obtained during operation on the appointed LED electronic driver under standardised laboratory conditions.
4. Installation must be performed by a licensed and qualified electrician, in accordance with these instructions and relevant Australian Standards.
5. Instant restart is allowed.
6. Do not change or tamper with any internal electric circuits, add any wires, connectors or cables for any reason.
7. Please do not insert any physical objects of any nature into the fitting as this may cause electric shock, malfunction or damage to the products.
8. Before replacement of the fitting turn the power off and allow to cool down.
9. In case of weight discrepancy when replacing old lamps, please ensure that the mounted structure is rated to withstand the weight of the new lamp and installation materials.
10. For further information, please contact Teknik (www.tekniklighting.com.au) or your local distributor.

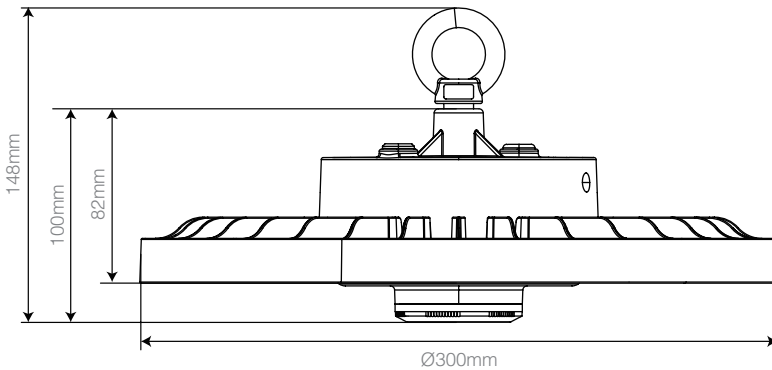
DISCLAIMERS

1. This product must be installed and used as per these instructions.
2. This product contains no serviceable parts and no attempt should be made to repair this product. If the product is faulty it should be discarded.
3. This product is not suitable for installation in hazardous and/or corrosive areas.
4. Electrical installations periodically receive transient over voltages. This product has been designed to minimise the effect of such voltages on connected equipment.
5. This product utilises intellectual property in the form of registered designs, trademarks, and/or patents. Such intellectual property remains the property of Teknik Lighting Solutions Pty Ltd in all cases.
6. This product has been designed to operate in ambient temperatures -40°C to + 50°C.

SPECIFICATIONS

Model	HS-200D120-SG2			
Input Voltage	90-305V AC ~ 50/60Hz			
Power	85W	100W	150W	200W
Lumen Output	16,800lm	19,600lm	28,700lm	36,200lm
Colour Temperature	5000K			
CRI	≥Ra70			
Power Factor	>0.95			
Beam Angle	120°			
Connection	Flex & Plug (1.5m)			
Lifetime	≥50,000 hours			
IP Rating	IP65			
Usage	Indoor Usage Only			

DIMENSIONAL DRAWING

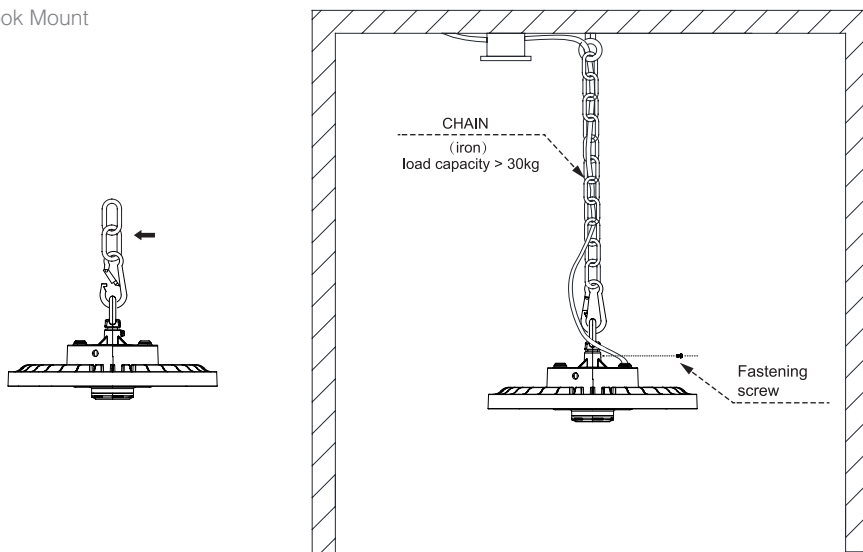


Diameter mm	Height mm	Weight kg
300	148	2.2

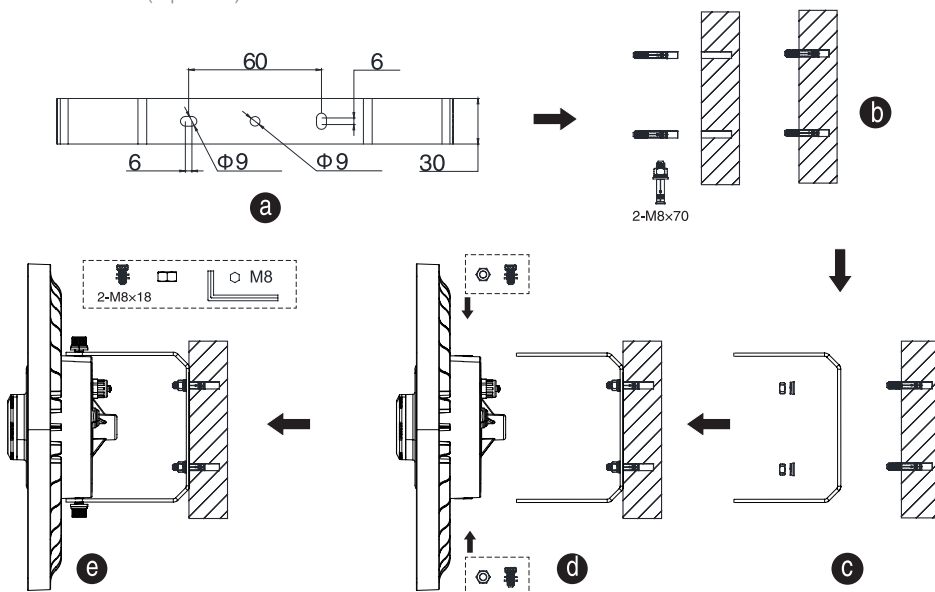
INSTALLATION DIAGRAM

Note: Supplied safety lanyard should be used for all installation options.

Hook Mount

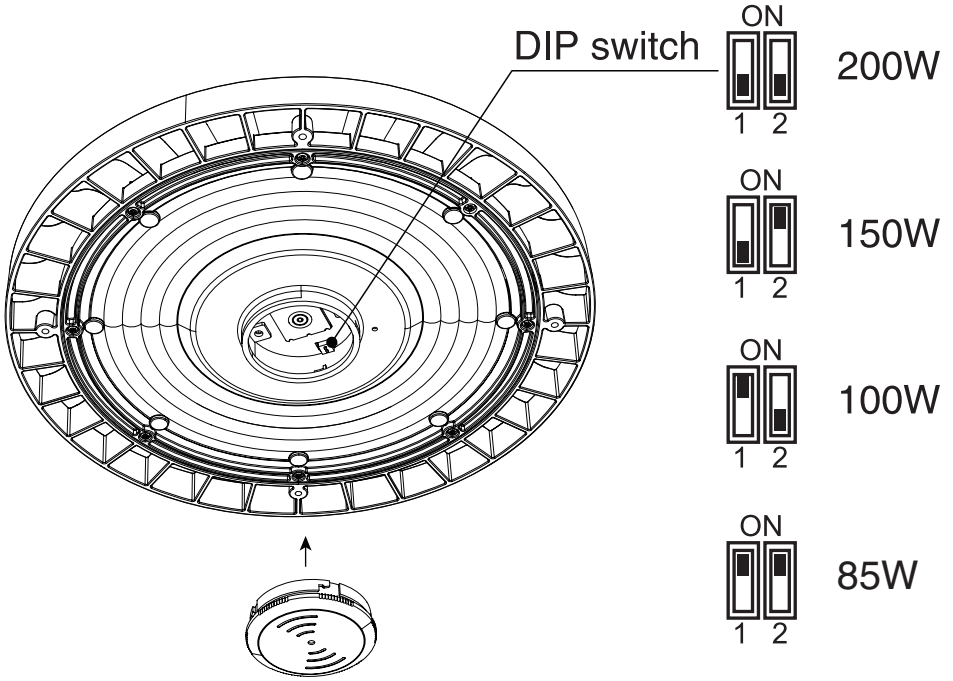


Bracket Mount (Optional)

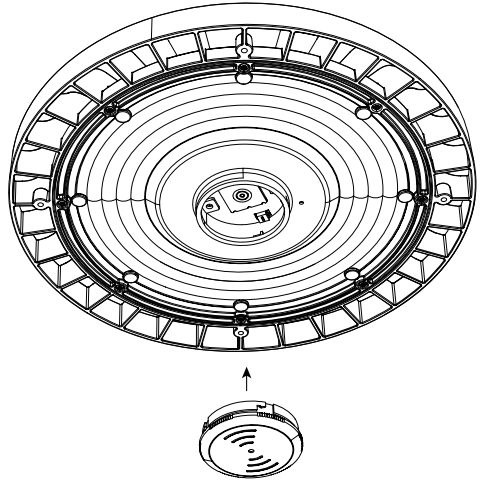


WATTAGE SELECTION FUNCTION

Warning: Ensure the luminaire is turned off before selecting wattage.



SENSOR INSTRUCTIONS



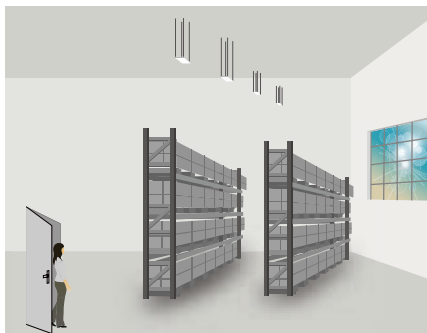
SENSOR SETTINGS

Detection setting	100% / 75% / 50% / 10%
Hold Time	5s / 30s / 1m / 3m / 5m / 10m / 20m / 30m
Stand-by Dim	10% / 20% / 30% / 50%
Stand by Time	0s / 10s / 30s / 1m / 5m / 10m / 30m / 60m / ∞
Daylight	2lx / 10lx / 30lx / 50lx / 80lx / 120lx / 200lx / 250lx / 300lx / 350lx / 400lx / disable
Mounting	15m
Detection range	15m (H) x 12m (W)

*Bold figures are default settings - settings can be changed via the optional Remote Control (HS-REM-LCD)



TYPICAL APPLICATIONS



The [SMARTBAY] will remain off if the ambient light level is above the programmed **daylight threshold** regardless of motion being detected.



When the ambient light level is below the selected **daylight threshold** the [SMARTBAY] will turn on when motion is detected.

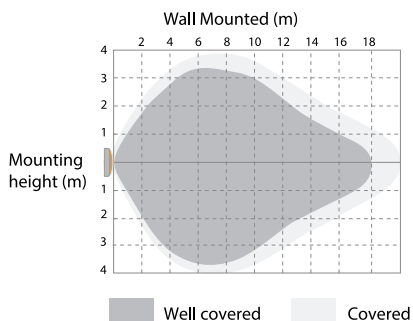
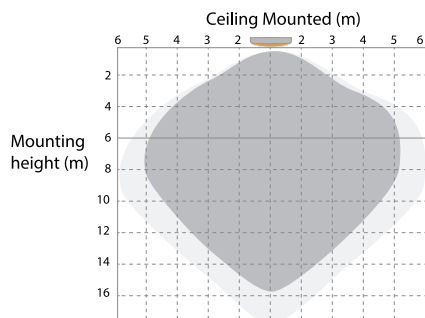


When no movement is detected after the selected **hold time**, light will dim to the selected **standby dimming level**.



When no motion is detected during the selected **standby period** the [SMARTBAY] will automatically turn off.

DETECTION PATTERN



TROUBLESHOOTING

FAULT	POSSIBLE CAUSE	REMEDY These settings require optional remote control (HS-REM-LCD)
[SMARTBAY] does not light up	Ambient light level is higher than the set level	Adjust Daylight Threshold setting
	No motion in detection area	Increase Detection Range or create motion in the detection area
[SMARTBAY] is always on	Continuous movement in the detection zone	Decrease Detection Range setting
	Standby Period set to infinity "--"	Set Standby Period to a specific time
[SMARTBAY] is always on with no apparent motion detection	Sudden change in temperature due to weather (wind, rain, snow) or air expelled from fans, or open windows	Decrease Detection Range
[SMARTBAY] is not operating at full brightness	Sensor is in Standby mode	Adjust Standby Period or create motion within the detection area
	Power Level has been set using the remote control	Adjust Power Level to 100% or activate Sensor Mode (see remote manual for details)

NOTES

1. Minimum distance from luminaire to any flammable object is 2m.
2. In case of weight discrepancy when replacing old luminaires, please ensure that the mounting structure is rated to withstand the weight of the new luminaires and installation materials.
3. For further information, please contact Teknik (www.tekniklighting.com.au) or your local distributors.