

[SOL] *shift*

LED DOWNLIGHT



3
YEAR
PRODUCT
WARRANTY

S
COLOUR
SELECTABLE

DIMMABLE

**IP
44**
INGRESS
PROTECTION

Description

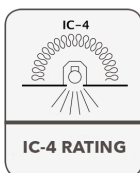
The [SOL] LED downlight replaces traditional halogen downlights with a more cost-effective solution designed for quick and easy installation. The [SOL] has a premium plastic coated aluminium body and low-glare diffuser optimising lighting output long with 3 colour temperature selections. Available in two sizes for direct replacement of traditional halogen downlights, along with broad-range dimming compatibility on TRIAC dimmers, the [SOL] Shift ensure versatility and reliability.



Key Features

- Flushed or recessed front face option available
- Dimmable through phase-cut (TRIAC) and compatible with a wide array of dimmers
- IC-4 rated for simple installation
- Flame resistant plastic coated aluminium body

shift
COLOUR SELECTABLE



An IC-4 rated downlight can be abutted and directly covered with insulation. This makes the installation process easier as the insulation can be laid unbroken over the whole ceiling area.

The main benefits of IC-4 downlights include:

- Much simpler and faster installation process
- Reduced labour per fitting
- Maintaining the integrity of the insulation as it can be laid unbroken over the ceiling

ACCESSORIES



Trim Ring - Silver



Trim Ring - Black

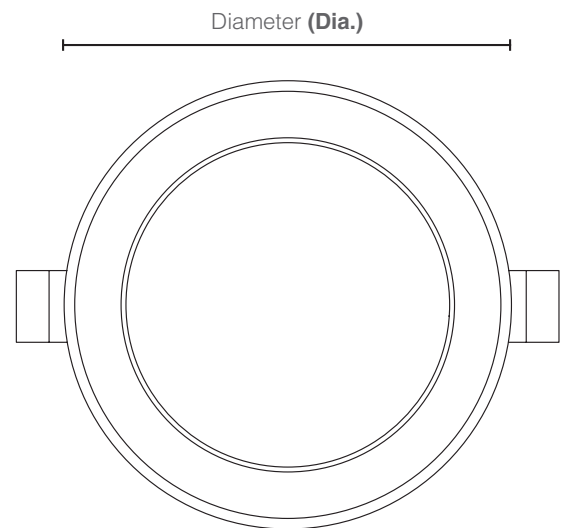
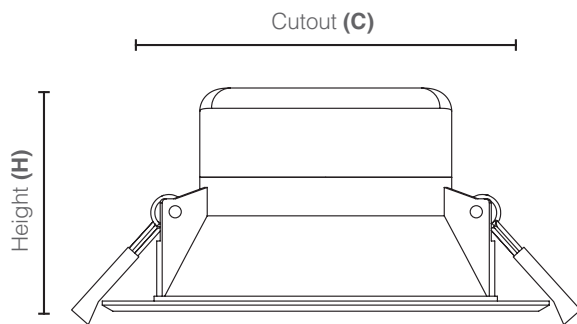
Model No.	DS-35-RING-SS-F	DS-35-RING-SS	Model No.	DS-35-RING-BK-F
Size	Ø86 x 3.8mm	Ø116 x 3.8mm	Size	Ø86 x 3.8mm
Materials	304 Stainless Steel		Materials	304 Stainless Steel
Finish	Nickel brushed finishing		Finish	Nickel brushed finishing
Colour	Silver		Colour	Black



Technical Specifications

Rated Life	≥40,000 hours	Operating Temperature	-20°C to +45°C
Body	Aluminium/Plastic Coating	Input Voltage	200 – 277 VAC ~ 50/60Hz
Installation	Built-in clips	IP Rating	IP44*
Beam Angle	120°	Connection	Flex and plug (0.6m)
Power Factor	>0.93	Weight	0.17kg (70mm) 0.18kg (90mm)
CRI	>80	*IP44 rating applies to product front fascia, IP40 for the rear of luminaire	

Dimensional Drawing



Model	Diameter mm	Height mm	Cutout mm
2.5inch	Ø85	63	Ø70±5
3.5inch	Ø115	61	Ø90±5

Product Data

Part Number	Power	Lumen Output	CCT
DS-25-7S120	7W	580lm-670lm	Colour Selectable (3000K / 4000K / 5700K)
DS-35-8S120	8W	700lm-820lm	Colour Selectable (3000K / 4000K / 5700K)
DS-25-7S120-F	7W	580lm-670lm	Colour Selectable (3000K / 4000K / 5700K)
DS-35-8S120-F	8W	700lm-820lm	Colour Selectable (3000K / 4000K / 5700K)