

TEKNIK
LIGHTING SOLUTIONS

5 YEAR
PRODUCT
WARRANTY

**IP
66**
INGRESS
PROTECTION

**IK
10**
IMPACT
PROTECTION

[TITAN]

FLOODLIGHT

FT-450DT4

USER MANUAL



INTRODUCTION

Thank you for selecting the [TITAN] Floodlight. Please ensure that the luminaire is installed in accordance with the below instructions. **Teknik Lighting Solutions Pty Ltd** assumes no responsibility for inappropriate use or installation of the product, including any associated damage caused.

PRECAUTION

1. Read the entire manual carefully before installation and operation.
2. The Warranty Period is five (5) years. Teknik will repair or replace the product if it fails or becomes defective during normal use within the prescribed warranty period.
3. Designed for industrial and commercial use.
4. The lifetime of the product is affected when it is used in a fully enclosed fixture.
5. Installation must be performed by a licenced and qualified electrician.
6. Use solid copper wire of 18 AWG (minimum) for the input terminal extension, and 20 AWG (minimum) for the output terminal extension.
7. Do not change or tamper with any internal electric circuits or wiring, connectors or cables for any reasons.
8. Do not insert foreign objects into the product. This may result in electric shock, malfunction or damage to the products.
9. When in operation the luminaire temperature may reach up to 60°C.
10. Teknik accepts no liability for any injuries or damages resulting from the incorrect use of the lamp or use of the lamp in combination with inappropriate equipment.
11. Luminaire is non-dimmable.
12. For further information, please contact Teknik Lighting Solutions or your local distributor.
13. This product has no user serviceable parts. If any part is damaged, disconnect from mains and discontinue use.
14. Warning: Luminaire marked as NON-IC according to AS/NZS60598-2.2. Not suitable for use on residential properties. DO NOT COVER OR ABUT. Any insulation material must be positioned at a minimum distance of 100 mm from the fitting.
15. Do not cover the light.
16. The warranty shall exclude modifications to the product, incorrect installation and use outside of the intended scope.

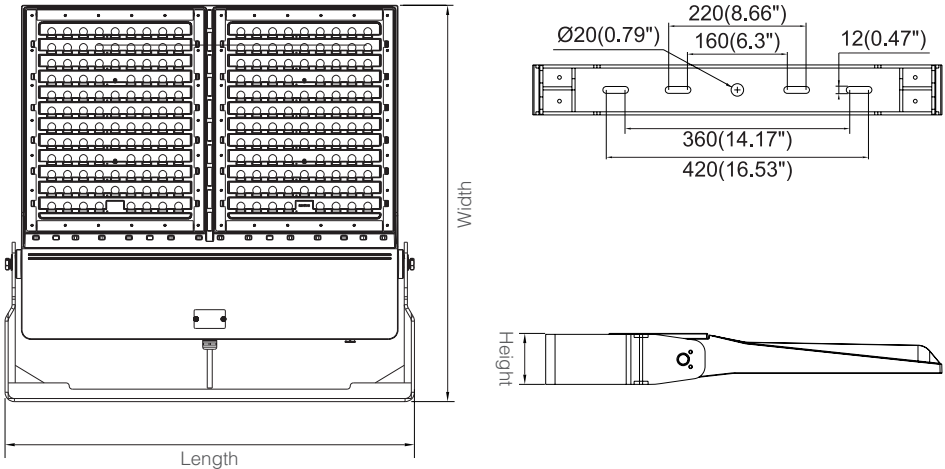
DISCLAIMERS

1. This product must be installed and used as per these instructions.
2. This product contains no serviceable parts and no attempt should be made to repair this product. If the product is faulty it should be discarded.
3. This product is not suitable for installation in hazardous and/or corrosive areas.
4. Electrical installations periodically receive transient over voltages. This product has been designed to minimise the effect of such voltages on connected equipment.
5. This product utilises intellectual property in the form of registered designs, trademarks, and/or patents. Such intellectual property remains the property of Teknik Lighting Solutions Pty Ltd in all cases.
6. This product has been designed to operate in ambient temperatures -30°C to + 50°C.

SPECIFICATIONS

Model	FT-450DT4
Input Voltage	100-240VAC ~ 50/60Hz
Power	450W
Lumen Output (Normal)	65,000lm
Colour Temperature	5000K
CRI	≥Ra70
Beam Angle	T4 38° X 148°
Connection	M20 Cable Gland
Lifetime	≥147,000 hours
IP Rating	IP66

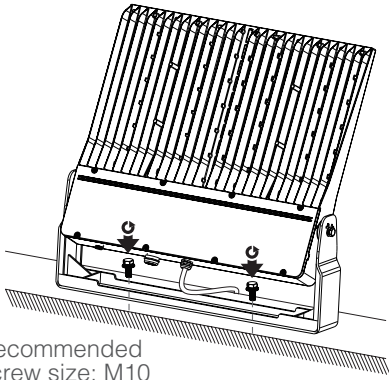
DIMENSIONAL DRAWING



Model	Length mm	Width mm	Height mm	Weight kg
FT-450DT4	656	635	82	15.7

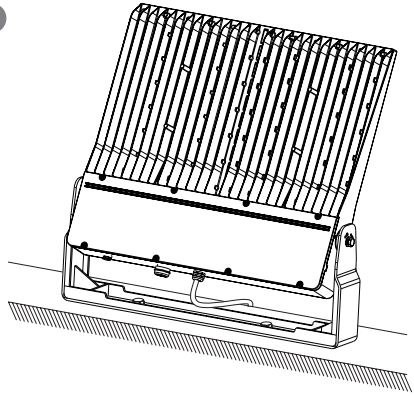
INSTALLATION

1

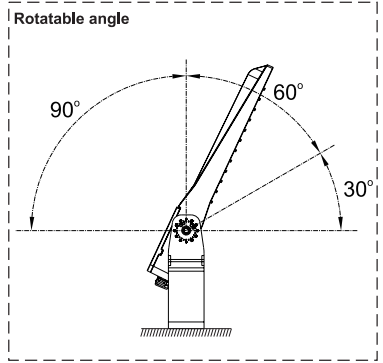
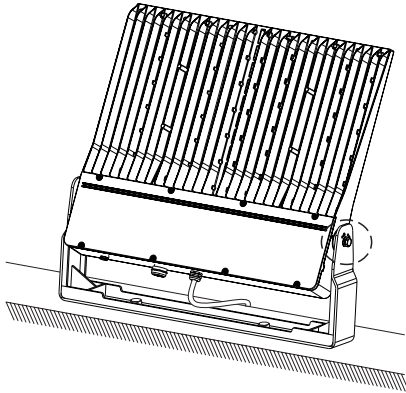


Recommended screw size: M10

2



3



WIRING

L	brown	black
N	blue	white
⊕ GND	yellow/green	green

Dimmable

⊙	DIM+/DA1	purple	or	purple	or	blue	or	brown	or	black	or	red
	DIM-/DA2	gray		pink		white		blue		gray		orange
⊙	DIM+/DA1	purple		purple		purple		purple				
	DIM-/DA2	gray	or	pink	or	gray	or	pink				
	Aux 12Vdc +	pink		black/white		black/white		red				
⊙	DIM+/DA1	purple		purple		purple						
	DIM-/DA2	gray		pink		pink						
	Aux 12Vdc +	pink	or	black/white	or	black/white						
	Aux 12Vdc -	black/white		blue/white		orange						
⊙	L	brown		black		black						
	N	blue		white		white						
	⊕ GND	yellow/green	or	green	or	green						
	DIM+/DA1	black		red		brown						
	DIM-/DA2	gray		orange		blue						