



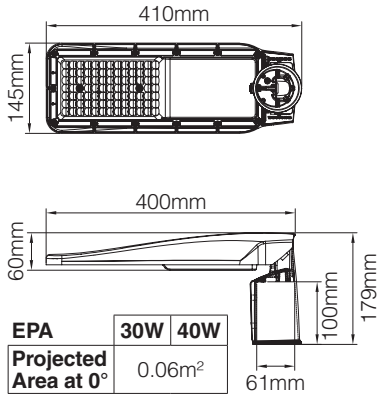
Please ensure that the luminaire is installed in accordance with the below instructions. **Teknik Lighting Solutions Pty Ltd** assumes no responsibility for inappropriate use or installation of the product, including any associated damage caused.

- Electrical Safety:** Not a DIY product. Ensure the fitting is installed by a qualified electrician in compliance with relevant Australian Standards (AS3000) and local regulations (where applicable). Always turn off the power supply before installation, maintenance, or cleaning.
- Compatibility:** Verify that the fitting is compatible with the existing power supply, mounting structure and dimmer systems, if applicable. Using incompatible equipment may result in damage or reduced performance.
- Damage Check:** Inspect for damage before installation. Do not use fittings with visible damage to wires, housing, or components.
- Avoid Modifications:** This product is intended for use in accordance with its specifications and installation guidelines. Any use outside these parameters is at the user's risk. Do not alter or tamper with the fitting. Unauthorised modifications can compromise safety and void the warranty.
- Switch Cycles:** Good design practice does not encourage 24/7 continuous operation of lighting products without a routine switching or regulatory test cycle. For extended use, limit operation to 12 hours per day for industrial/commercial applications and 6 hours per day for residential applications.
- Disposal:** Dispose of fittings responsibly in accordance with local recycling and disposal regulations. LEDs contain electronic components that may require special handling.
- Liability Limitation:** TEKNIK shall not be held liable for incidental, indirect, or consequential damages resulting from the use or inability to use this product.
- Intellectual Property:** This product utilises intellectual property in the form of registered designs, trademarks, and/or patents. Such intellectual property remains the property of Teknik Lighting Solutions Pty Ltd in all cases.

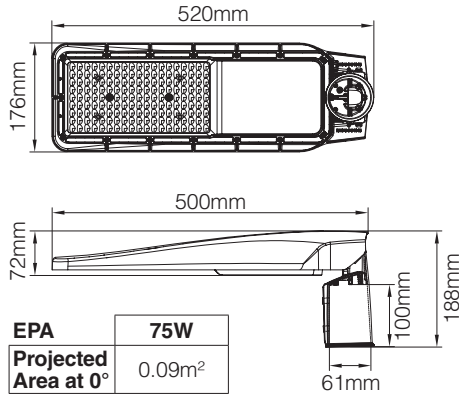
DIMENSIONAL DRAWING

Note: Shorting Cap (supplied) or Photocell (optional) must be fitted for operation.

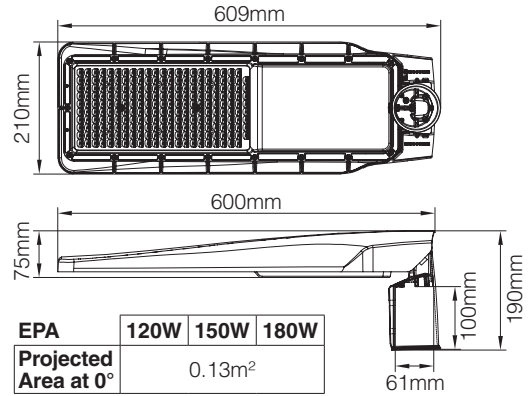
30W/40W



75W

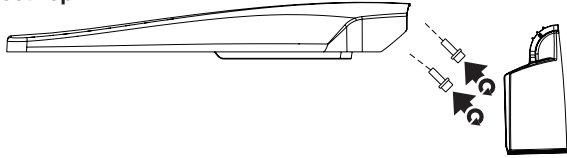


120W/150W/180W

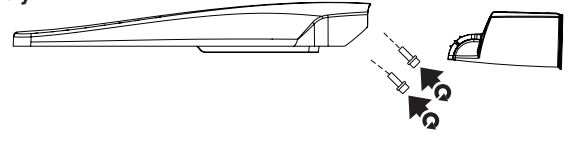


INSTALLATION: POLE MOUNT

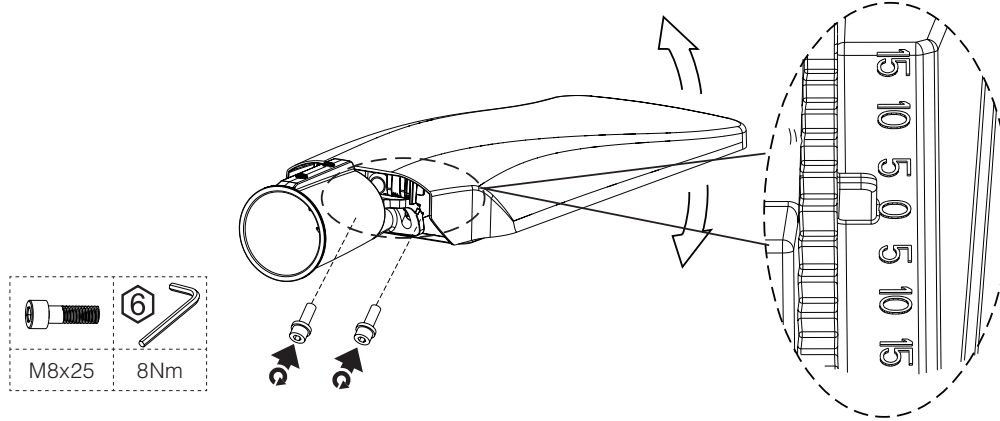
1 Post Top



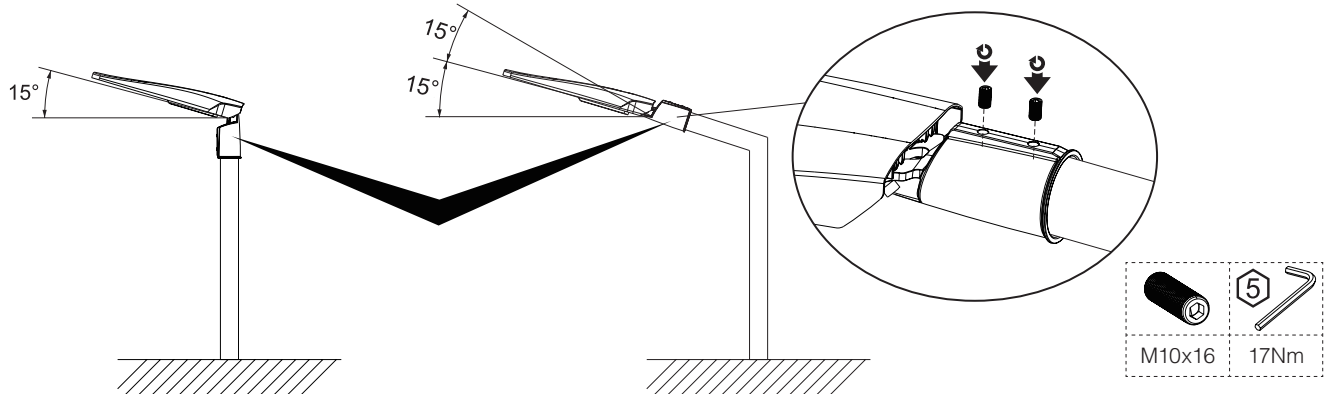
Side Entry



2

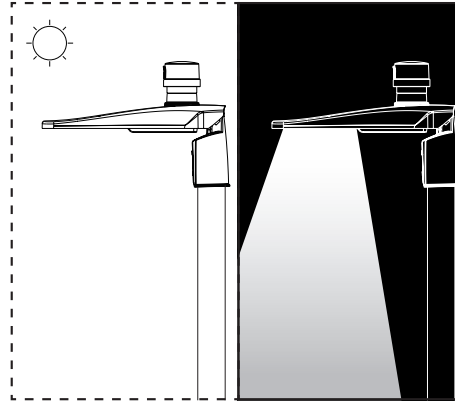
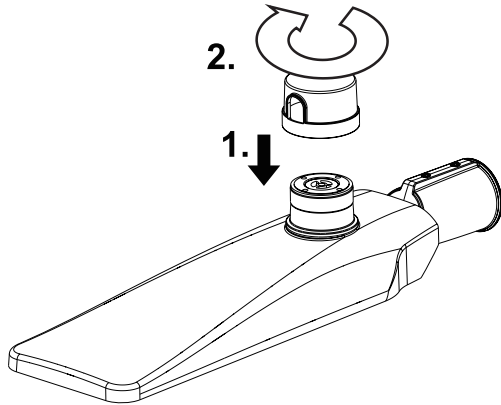


3





PHOTOCELL (OPTIONAL)



WIRING

Regular		
L	brown	black
N	blue	white
	yellow/green	green

Dimmable												
	DIM+	purple	or	purple	or	blue	or	brown	or	black	or	red
	DIM-	gray		pink		white		blue		gray		orange
Warning! Do not wire dim cord to high voltage, or dim function will fail.												

MAXIMUM CONNECTED LUMINAIRES

	Inrush Current		MCB							
	(A)	T50 (us)	Type B 10A	Type B 13A	Type B 16A	Type B 20A	Type C 10A	Type C 13A	Type C 16A	Type C 20A
30W	30	200	13	16	20	26	21	28	34	43
40W	30	200	13	16	20	26	21	28	34	43
75W	40	200	10	13	16	21	17	22	28	35
120W	50	300	3	4	6	7	6	8	10	12
150W	50	300	3	4	6	7	6	8	10	12
180W	50	420	3	4	5	7	6	7	9	12