

[VISION]

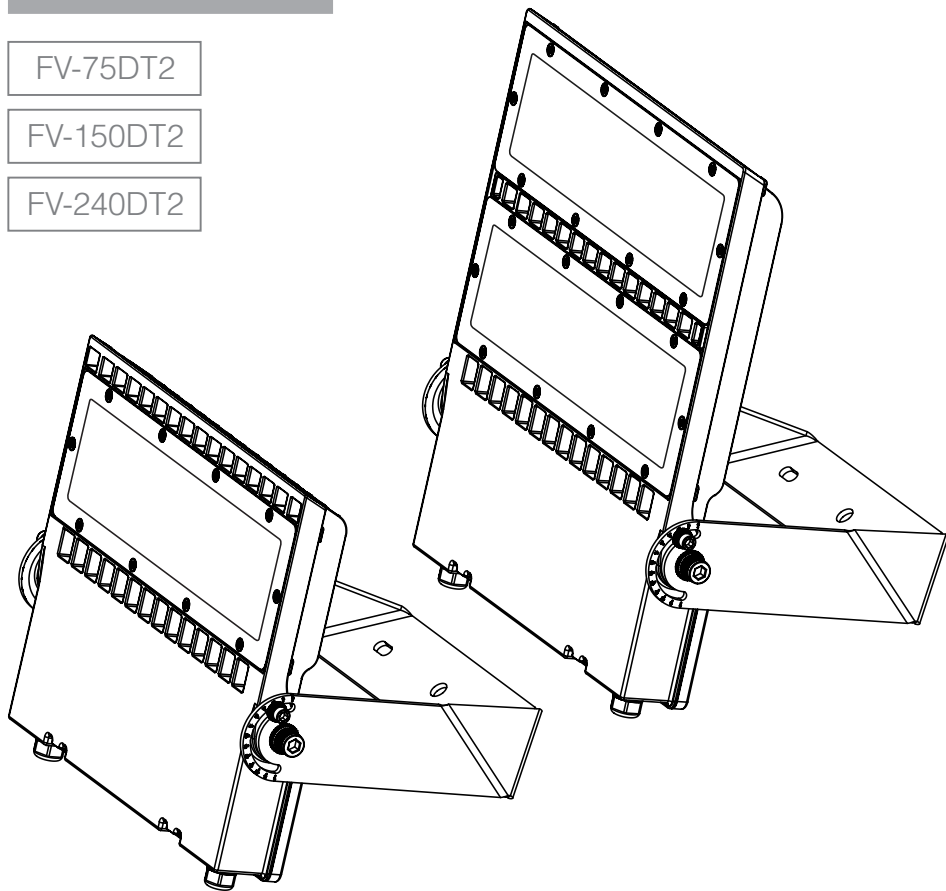
LED FLOODLIGHT

USER MANUAL

FV-75DT2

FV-150DT2

FV-240DT2



INTRODUCTION

Thank you for selecting the [VISION] LED Floodlight. Please ensure that the luminaire is installed in accordance with the below instructions. **Teknik Lighting Solutions Pty Ltd** assumes no responsibility for inappropriate use or installation of the product, including any associated damage caused.

PRECAUTION

1. Read the entire manual carefully before installation and operation.
2. The Warranty Period is five (5) years. Teknik will repair or replace the product if it fails or becomes defective during normal use within the prescribed warranty period. Extended warranty periods may be available, for further information, please contact Teknik Lighting Solutions or your local distributor.
3. Designed for industrial and commercial use.
4. The lifetime of the product is affected when it is used in a fully enclosed fixture.
5. Installation must be performed by a licenced and qualified electrician.
6. Use solid copper wire of 18 AWG (minimum) for the input terminal extension, and 20 AWG (minimum) for the output terminal extension.
7. Do not change or tamper with any internal electric circuits or wiring, connectors or cables for any reasons.
8. Do not insert foreign objects into the product. This may result in electric shock, malfunction or damage to the products.
9. When in operation the luminaire temperature may reach up to 60°C.
10. Teknik accepts no liability for any injuries or damages resulting from the incorrect use of the lamp or use of the lamp in combination with inappropriate equipment.
11. This luminaire is dimmable using 1-10V or PWM type dimming systems. The use of other dimming protocols could cause damage to the luminaire and will void any warranties.
12. This product has no user serviceable parts. If any part is damaged, disconnect from mains and discontinue use.
13. Do not cover the light.
14. The warranty shall exclude modifications to the product, incorrect installation and use outside of the intended scope.

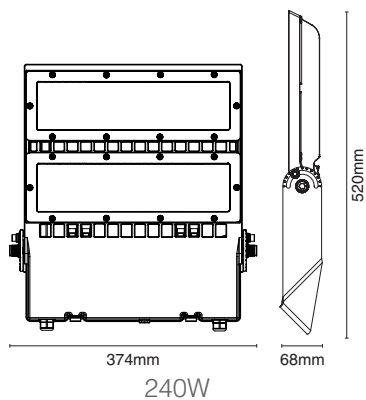
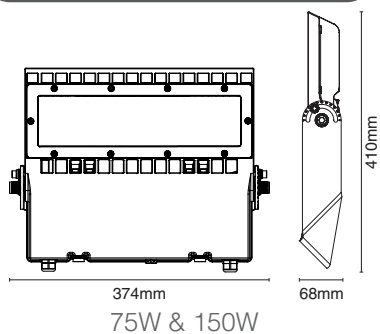
DISCLAIMERS

1. This product must be installed and used as per these instructions.
2. This product contains no serviceable parts and no attempt should be made to repair this product. If the product is faulty it should be discarded.
3. This product is not suitable for installation in hazardous and/or corrosive areas.
4. Electrical installations periodically receive transient over voltages. This product has been designed to minimise the effect of such voltages on connected equipment. It may not give full protection for extreme over-voltage transients such as those resulting from a close lightning strike.
5. This product utilises intellectual property in the form of registered designs, trademarks, and/or patents. Such intellectual property remains the property of Teknik Lighting Solutions Pty Ltd in all cases.
6. This product has been designed to operate in ambient temperatures -40°C to +50°C.

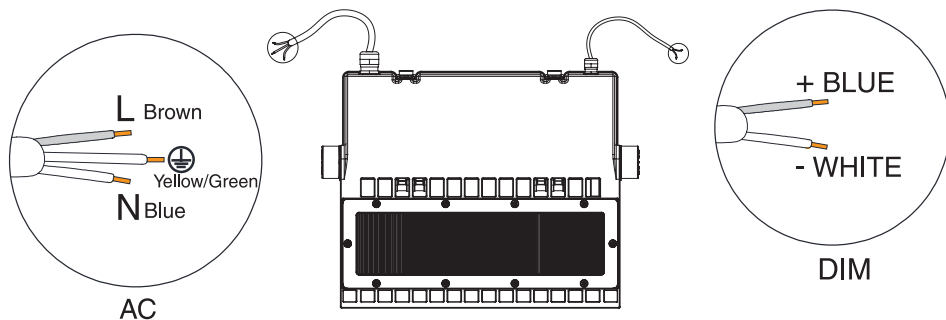
SPECIFICATIONS

Input Voltage	90-305 VAC ~ 50/60Hz		
Power	75W	150W	240W
Lumen Output	10,500lm	21,000lm	33,600lm
Colour Temp	5000K		
CRI	>70		
Beam Angle	Asymmetric T2		
Connection	Terminal Block		
Net Weight	5.3kg	5.5kg	7.1kg
Lifetime	≥50,000 hours		
IP Rating	IP66		
Dimensions	410 x 374 x 68mm	410 x 374 x 68mm	520 x 374 x 68mm

DIMENSIONAL DRAWINGS



WIRING DIAGRAM

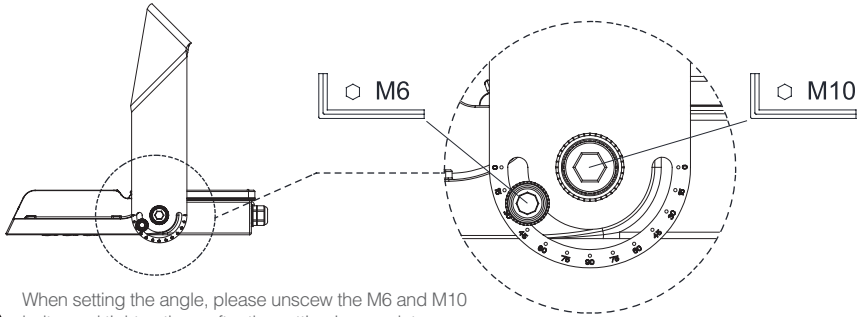
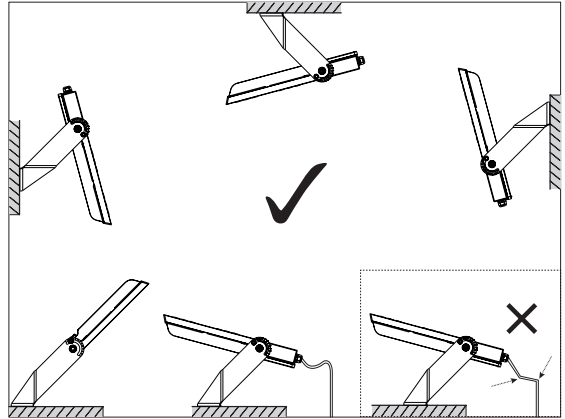



INSTALLATION

Bracket Mount

WARNING:

1. Switch off before installation.
2. Switch on only after complete installation and testing of the circuit.
3. Installation and maintenance to be undertaken by a professional, suitably qualified electrician only.



 When setting the angle, please unsew the M6 and M10 bolts, and tighten them after the setting is complete.

