

# [PROFILE]

## LED DOWNLIGHT



### Description

The [PROFILE] LED Downlight is low profile making it perfect for multi-story installations. It replaces traditional halogen downlights with a more cost-effective solution designed for quick and easy installation. The [PROFILE] has a thermal plastic body, 3 colour temperature selections and is available as either flush or recessed.

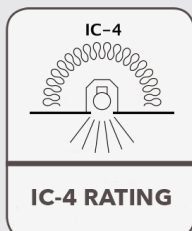


### Low Profile Body

Just 29mm deep making it perfect for installation between floors of multi-story buildings

### Key Features

- High efficiency SMD LED chips
- Easy installation
- Three selectable colour temperatures
- IC-4 rating - can be installed under ceiling insulation
- Plastic downlight with internal aluminium heat sink
- Opal polycarbonate diffuser



An IC-4 rated downlight can be abutted and directly covered with insulation. This makes the installation process easier as the insulation can be laid unbroken over the whole ceiling area.

The main benefits of IC-4 downlights include:

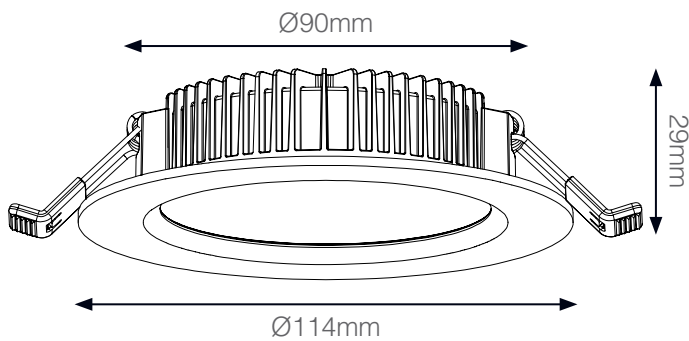
- Simple and fast installation process
- Reduced labour per fitting
- Maintaining the integrity of the insulation as it can be laid unbroken over the ceiling



Technical Specifications

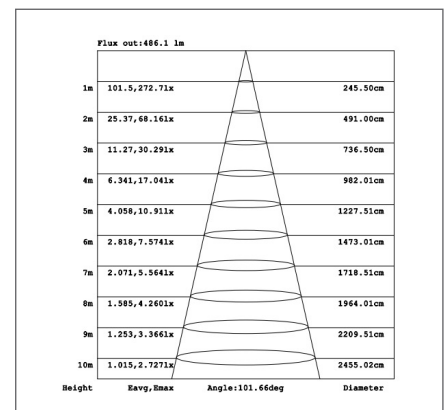
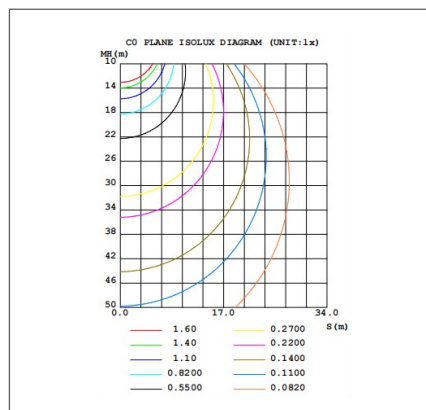
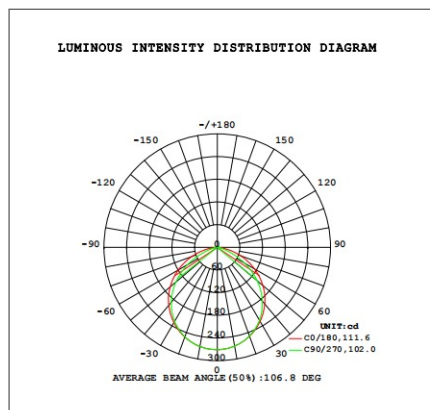
<b>Rated Life</b>	≥25,000 hours	<b>CRI</b>	>80
<b>Body</b>	Aluminium & Thermal Plastic	<b>Operating Temperature</b>	-20°C to +25°C
<b>Installation</b>	Built-in Clips	<b>Input Voltage</b>	220 - 240 VAC ~ 50/60Hz
<b>Beam Angle</b>	110°	<b>IP Rating</b>	IP44
<b>Power Factor</b>	>0.9	<b>Connection</b>	Flex & Plug (0.6m)

Dimensional Drawing



Model	Diameter	Height	Cutout
DP-35-8S110	Ø114mm	29mm	Ø90mm
DP-35-8S110-F	Ø114mm	29mm	Ø90mm

Photometry



Product Data

Part Number	Power	Lumen Output	CCT
DP-35-8S110	8W	650lm/750lm/650lm	3000K/4000K/5700K
DP-35-8S110-F	8W	650lm/750lm/650lm	3000K/4000K/5700K